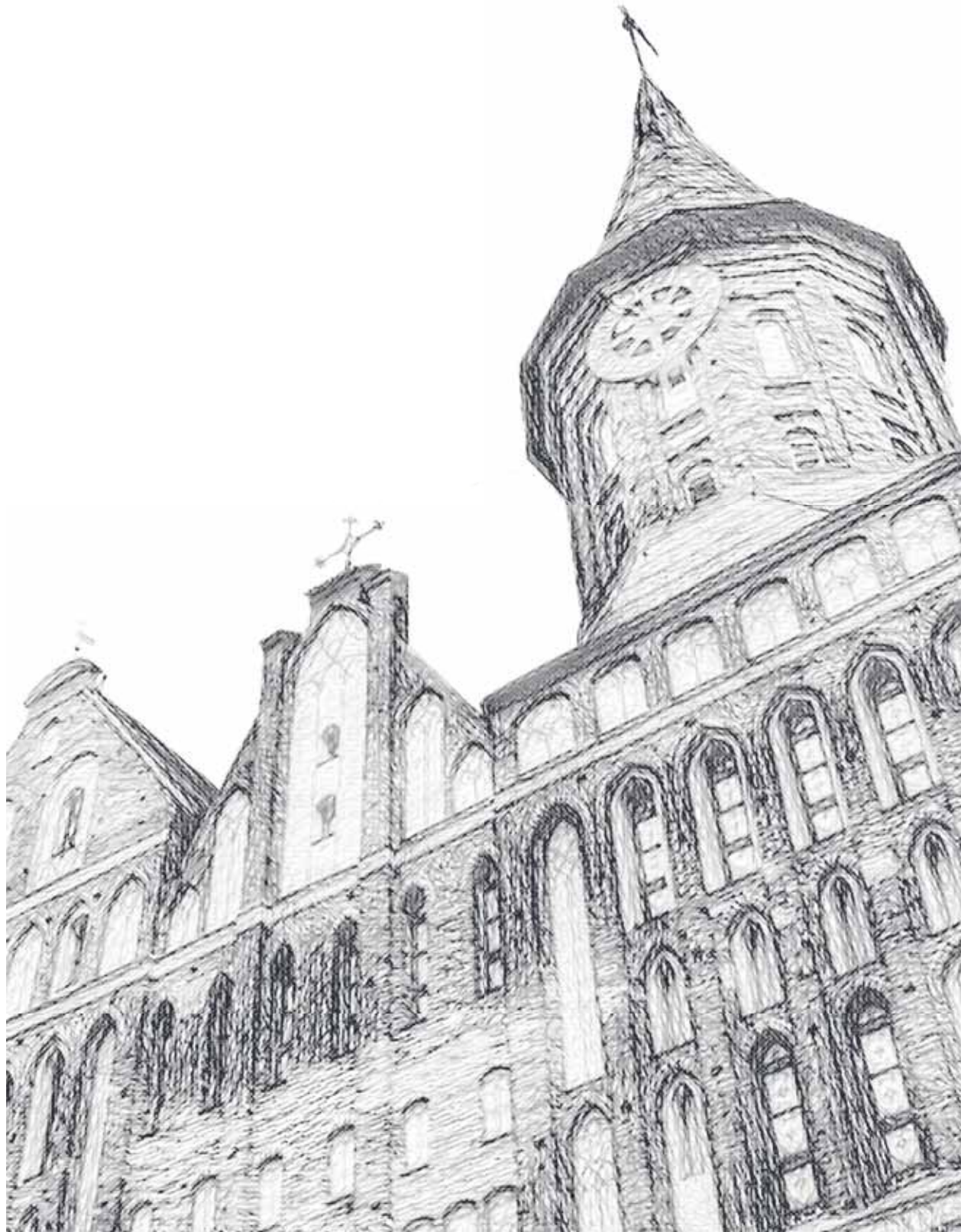




CONTENTS

Technical
information

Bergamo	6	116
Empire	14	117
Genesis	22	118
Infinity	32	119
La Donna	40	120
Malaga	46	121
Miami	56	122
Milan	66	123
Mobi	74	124
Neringa	94	126
Verona	106	126



Comfort in bath as an inspiration

- AQWELLA is a company with 25 years experience in bathroom furniture production.
- We produce our furniture from European environmentally friendly materials
- Our product is delivered to customers in assembled form. In a case of damage every part can be ordered from us and easily installed.
- All parts made of MDF are coated with five layers of paint using ultraviolet curing technology. That is why the surface of the facades and sides of our furniture is perfectly flat, moisture resistant and impact-resistant.
- Our main partner in the field of accessories is BLUM company which is well known as the world leader in its sector. BLUM presents innovation and high quality in its production. All Blum components in AQWELLA furniture have the guarantee for the entire life of the furniture.
- We only use silver-based amalgam mirrors from Belgian company Glaverbel. This kind of mirrors perfectly suit the rooms with high humidity.

AQWELLA
★★★★★

MODEL RANGE



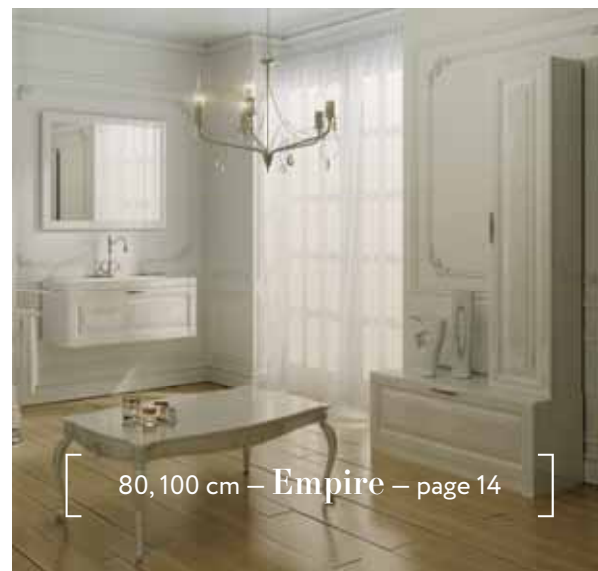
[80, 100 cm – Bergamo – page 6]



[90, 120 cm – Malaga – page 46]



[60, 75, 90, 100 cm – Miami – page 56]



[80, 100 cm – Empire – page 14]



[100, 120 cm – Genesis – page 22]



[80, 100 cm – Milan – page 66]



[60, 80, 100, 120 cm – Mobi – page 74]



[60, 80, 100 cm – Infinity – page 32]



[85 cm – La Donna – page 40]



[80 cm – Neringa – page 94]



[80, 100 cm – Verona – page 106]



Bergamo

Aqwella *****

Facades and sides of the collection are made of high-quality MDF (high-density fiberboard) and covered with 5 layers of high-gloss enamel (in white) or structured high-quality film (in acacia color). Marble cast washbasins are made with original bowl and decorative insert in place of the drain. Vanity units can be either hanging or floor-mounted. Drawers in the cabinets have full extension and soft closed system by BLUM, Austria. Those systems have the guarantee for the entire life of the furniture. The upper drawer is equipped with a system of dividing the internal space. The interior decoration of the elements is made in a special color (Eolo) imitating the fabric. The mirror is moisture-proof with a silver amalgam and equipped with background lighting and a switch.



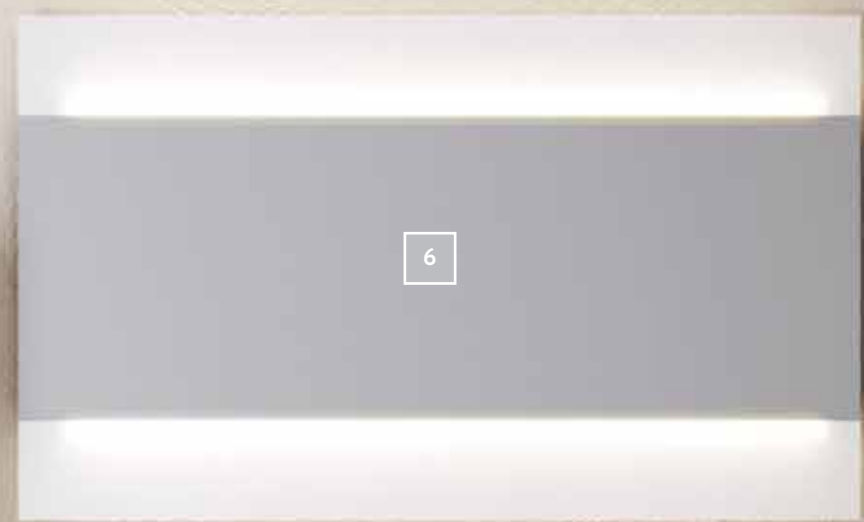
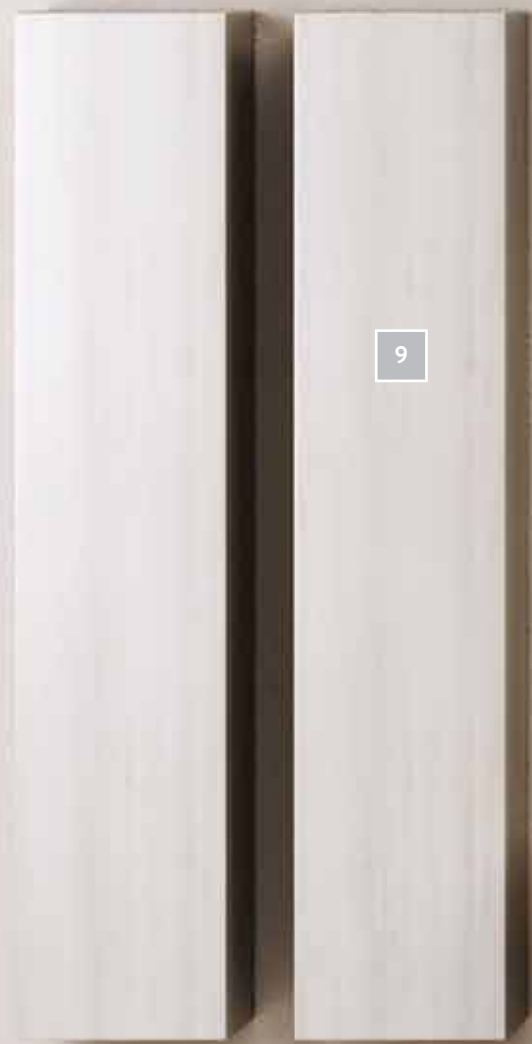
W - White high gloss



A - Acacia

Number of articles – 10 • Color variations -2
Technical information at page: 116





1



Vanity unit 80 cm **Washbasin Bergamo 800**
 Ber.01.08/(A/W) Ber.08.04.D
 Hanging vanity unit with two drawers in acacia/ white color.
 Marble cast washbasin.
 W: 80 – H: 51 – D: 51

2



Vanity unit 80 cm **Washbasin Bergamo 800**
 Ber.01.08/n/(A/W) Ber.08.04.D
 Floor-standing vanity unit with three drawers,
 acacia/ white color. Marble cast washbasin.
 W: 80 – H: 86 – D: 50

3



Vanity unit 100 cm **Washbasin Bergamo 1000**
 Ber.01.10/(A/W) Ber.10.04.D
 Hanging vanity unit with two drawers in acacia/ white color.
 Marble cast washbasin.
 W: 100 – H: 51 – D: 51

4



Vanity unit 100 cm **Washbasin Bergamo 1000**
 Ber.01.10/n/(A/W) Ber.10.04.D
 Floor-standing vanity unit with three drawers,
 acacia/ white color. Marble cast washbasin.
 W: 100 – H: 86 – D: 50



Drawers in the cabinets have full extension and soft closed system by BLUM, Austria. Those systems have the guarantee for the entire life of the furniture.



The upper drawer is equipped with a system of dividing the internal space. Marble cast washbasin is made with original bowl and decorative insert in place of the drain.



The mirror is moisture-proof with a silver amalgam and equipped with background lighting and a switch.

5



Mirror 80 cm

Ber.02.08

Mirror with backlight and switch. It could be installed either vertically or horizontally.

W: 80 – H: 60 – D: 4

6



Mirror 100 cm

Ber.02.10

Mirror with backlight and switch. It could be installed either vertically or horizontally.

W: 100 – H: 60 – D: 4

7



Shelf 70 cm

Eu.06.07

Glass shelf with metal holders

W: 70 – H: 1 – D: 14

8



Shelf 100 cm

Eu.06.10

Glass shelf with metal holders

W: 100 – H: 1 – D: 14

9



Side Unit 25 cm

An.05.25/(A/W)

Hanging universal left/right side unit with one door and push-to-open opening system, acacia/ white color.

W: 25 – H: 120 – D: 20

10



Side Unit 35 cm

An.05.35/(A/W)

Hanging universal left/right side unit with one door and push-to-open opening system, acacia/ white color.

W: 35 – H: 120 – D: 25



Empire

Aqwella *****

Empire collection is designed in a style of modern classics. The special refinement of the collection is given by the handle inlaid with Swarovski crystals. The interior decoration of the elements is made in a special color (Eolo), that imitates the fabric. Vanity units are equipped with the washbasins made of marble cast. The drawers in the cabinets have full extension and soft closed system by BLUM, Austria. Those systems have the guarantee for the entire life of the furniture. The facades and the sides of furniture are made of high-quality MDF (high-density fiberboard) and covered with 5 layers of white high-gloss enamel. A large (80x100 cm) mirror in the frame is water-resistant (with silver amalgam), and can be installed either vertically or horizontally.

 W - White high gloss

Number of articles – 7 • Color variations – 1
Technical information at page: 117





7

5

2

6

4



Vanity units are equipped with the washbasins made of marble cast. The drawers in the units are equipped by BLUM soft close systems



The special refinement of the collection is given by the handle inlaid with Swarovski crystals

1



Vanity unit 80 cm

Emp.01.08/W

Hanging vanity unit with a drawer, white high gloss color. Marble cast washbasin.

W: 80 – H: 43 – D: 40

Washbasin Infinity 800

Inf.08.04.D

2



Vanity unit 100 cm

Emp.01.10/W

Hanging vanity unit with a drawer, white high gloss color. Marble cast washbasin.

W: 100 – H: 43 – D: 40

Washbasin Infinity 1000

Inf.10.04.D

3



Additional element 80 cm

Emp.03.08/W

Additional floor-standing vanity unit with a drawer, white high gloss color.

W: 80 – H: 45 – D: 40

4



Additional element 100 cm

Emp.03.10/W

Additional floor-standing vanity unit with a drawer, white high gloss color.

W: 100 – H: 45 – D: 40

5



Mirror 100x80 cm

Emp.02.10/W

Mirror in a frame with 100x80 cm dimensions.
It could be installed either vertically or horizontally.
W: 100 – H: 80 – D: 3

6



Side Unit 35 cm

Emp.05.35/W

Hanging universal left/right side unit with one door
with soft-close system, white high gloss color.
W: 35 – H: 152 – D: 35

7



Side Unit 45 cm

Emp.05.45/W

Floor-standing universal left/right side unit with one door
with soft-close system, white high gloss color.
W: 45 – H: 195 – D: 35

The collection has a large number of additional elements that is why the customer have the opportunity to use the space of the bathroom of any size





Genesis

Aqwella *****

Designers are often inspired by natural textures in the modern interiors. The units of Genesis collection have 2 types of fronts: made from chipboard with a deep wood texture (Millennium gray color (MG)), or white high gloss color (W) made from MDF (high density fiberboard) covered with 5 layers of enamel. The MDF carcass is covered with 5 layers of white glossy enamel, and powered by aluminum profiles. The countertop of vanity unit is additionally covered with a protective varnish that is resistant to mechanical influences. The drawers of vanity units are equipped with a BLUM full extension Tip - On Blumotion LegraBox system. This system combines the function of opening by pressing and soft closing system. The sides of LegraBox boxes are metal and only 12 mm thick. There are anti-slip mats inside the drawers. The mirrors of the collection are moisture -resistant. They have led lighting, a touch switch and a heating system.



MG -



W - White high gloss

Number of articles – 7 • Color variations – 2
Technical information at page: 118





7

5

1

3

The drawers of vanity units are equipped with a BLUM full extension Tip - On Blumotion LegraBox system. This system combines the function of opening by pressing and soft closing system



1



Vanity unit 100 cm
GEN0110(MG/W)

Washbasin Escape 900
Esc.09.04.D

Hanging vanity unit with a drawer, white high gloss/ millennium gray color. Marble cast washbasin.
W: 100 – H: 42 – D: 45

2



Vanity unit 120 cm
GEN0112(MG/W)

Washbasin Escape 900
Esc.09.04.D

Hanging vanity unit with a drawer, white high gloss/ millennium gray color. Marble cast washbasin.
W: 120 – H: 42 – D: 45

3



Additional element 100 cm
GEN0310(MG/W)

Additional hanging unit with a drawer, white high gloss/ millennium gray color.
W: 100 – H: 31 – D: 40

4



Additional element 120 cm
GEN0312(MG/W)

Additional hanging unit with a drawer, white high gloss/ millennium gray color.
W: 120 – H: 31 – D: 40

5



Mirror 100 cm

GEN0210

Mirror with led lighting, a touch switch and a heating anti-fog system.

W: 100 – H: 70 – D: 3

6



Mirror 120 cm

GEN0212

Mirror with led lighting, a touch switch and a heating anti-fog system.

W: 120 – H: 70 – D: 3

7



Side Unit 35 cm

GEN0535(MG/W)

Hanging universal left/right side unit, white high gloss/ millennium gray color.

W: 35 – H: 120 – D: 25

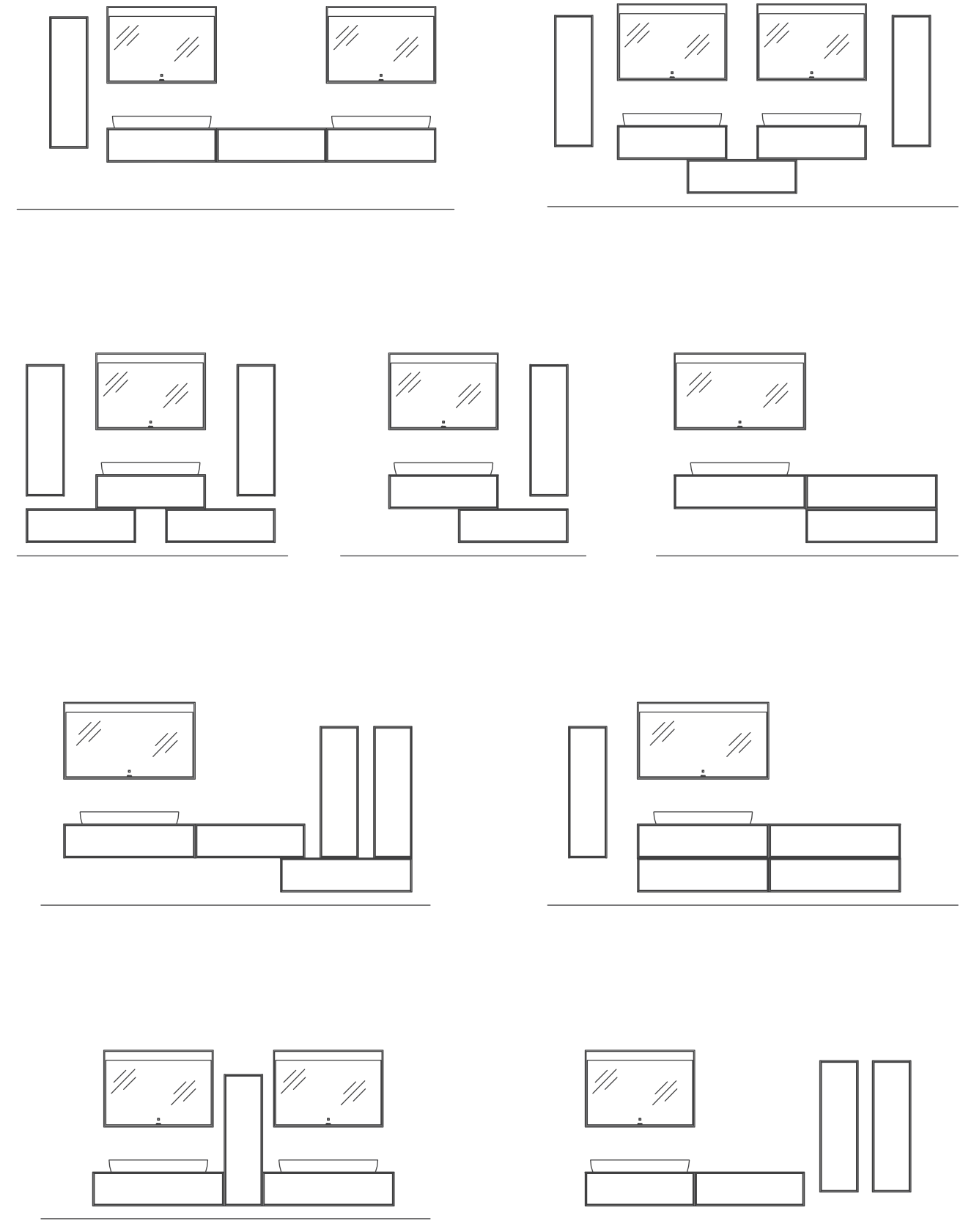


The countertop of vanity unit is additionally covered with a protective varnish that is resistant to mechanical influences.

The mirrors of the collection are moisture-resistant. They have led lighting, a touch switch and a heating system.



THE OPTIONS FOR FURNITURE PLACEMENT



Infinity

Aqwella *****



All the units of Infinity collection are equipped with a very convenient chrome handle. The drawers in the cabinets have soft closed system by BLUM, Austria. Those systems have the guarantee for the entire life of the furniture.

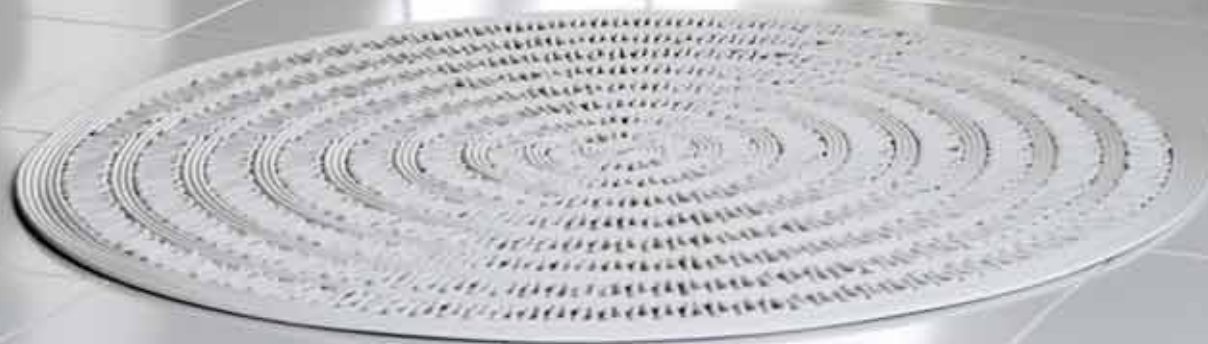
The rectangular washbasins are made of marble cast. The mirrors are moisture-resistant with silver amalgam. They have background lighting and a switch. The fronts and sidewalls of furniture are made of MDF (high-density fiberboard) and covered with five layers of high-gloss enamel in white or black. The interior decoration of the elements is made in a special color (Eolo), that imitates the fabric. The collection has a large number of additional elements that allow you fully use the space in the bathroom of any size.

W – White high gloss

BLK – Black high gloss

Number of articles – 11 • Color variations – 2
Technical information at page: 119







Drawers in the cabinets have soft closed system by BLUM, Austria. Those systems have the guarantee for the entire life of the furniture.



The drawers of the units have soft closed system by BLUM, Austria. Those systems have the guarantee for the entire life of the furniture.



1



Vanity unit 60 cm
Inf.01.06/001(/BLK)
Hanging vanity unit with a drawer, white/black high gloss color. Marble cast washbasin.
W: 60 – H: 45 – D: 40

Washbasin Infinity 600
Inf.06.04.D

2



Vanity unit 80 cm
Inf.01.08/001(/BLK)
Hanging vanity unit with a drawer, white/black high gloss color. Marble cast washbasin.
W: 80 – H: 43 – D: 40

Washbasin Infinity 800
Inf.08.04.D

3



Vanity unit 100 cm
Inf.01.10/001(/BLK)
Hanging vanity unit with a drawer, white/black high gloss color. Marble cast washbasin.
W: 100 – H: 43 – D: 40

Washbasin Infinity 1000
Inf.10.04.D

4



Mirror 80 cm
Inf.02.08
Mirror with background lighting and a switch. It could be installed either vertically or horizontally.
W: 80 – H: 60 – D: 4

5



Mirror 100 cm
Inf.02.10
Mirror with background lighting and a switch. It could be installed either vertically or horizontally.
W: 100 – H: 60 – D: 4

6



Additional element 80 cm

Inf.03.08(/BLK)

Additional floor-standing vanity unit with a drawer, white/black high gloss color.

W: 80 – H: 45 – D: 40

7



Additional element 100 cm

Inf.03.10(/BLK)

Additional floor-standing vanity unit with a drawer, white/black high gloss color.

W: 100 – H: 45 – D: 40

8



Shelf 70 cm

Eu.06.07

Glass shelf with metal holders

W: 70 – H: 1 – D: 14

9



Shelf 100 cm

Eu.06.10

Glass shelf with metal holders

W: 100 – H: 1 – D: 14

10



Side Unit 35 cm

Inf.05.35(/BLK)

Hanging universal left/right side unit with one door, white/black high gloss color.

W: 35 – H: 152 – D: 35

11



Side Unit 45 cm

Inf.05.45(/BLK)

Floor-standing universal left/right side unit with one door, white/black high gloss color.

W: 45 – H: 195 – D: 35



The collection has a large number of additional elements that allow you fully use the space in the bathroom of any size.



La Donna

Aqwella *****

This collection organically combines modern technological capabilities and neoclassical forms.

A floor vanity unit is complemented with an elegant marble cast washbasin. The mirror has a curvilinear shape with a border along the edge (facet).

The carcass and fronts are made of high-quality MDF (high-density wood fiber board) covered with five layers of white glossy or black matte enamel. The vanity unit with has two drawers with full extension Blum LegraBox system, which has a soft closing function and a guarantee for the entire life of the furniture. The sides of LegraBoxes are made from metal and have the thickness of 12 mm. There are anti-slip mats of white color inside the boxes. Legs are made from natural wood. The chrome handles from European producer

W - White high gloss BLK - Black mat

Number of articles – 3 • Color variations – 2
Technical information at page: 120





1

2

3

1



Vanity unit 85 cm

LAD0108(W/BLK)

Floor-standing vanity unit with two drawers, white high gloss/ black mat color. Marble cast washbasin.

W: 85 – H: 86 – D: 46

Washbasin La Donna

p_u_048_01_0700_1_10_0_03



Legs are made from natural wood.
The chrome handles from European producer.



2



Mirror 72 cm

LAD0207(W/BLK)

Mirror with curvilinear shape with a border along the edge (facet), white high gloss/ black mat color

W: 72 – H: 95 – D: 3

3



Side Unit 40 cm

LAD0504(W/BLK)

Floor-standing universal left/right side unit, white high gloss/ black mat color. It has two doors and glass shelves of graphite color.

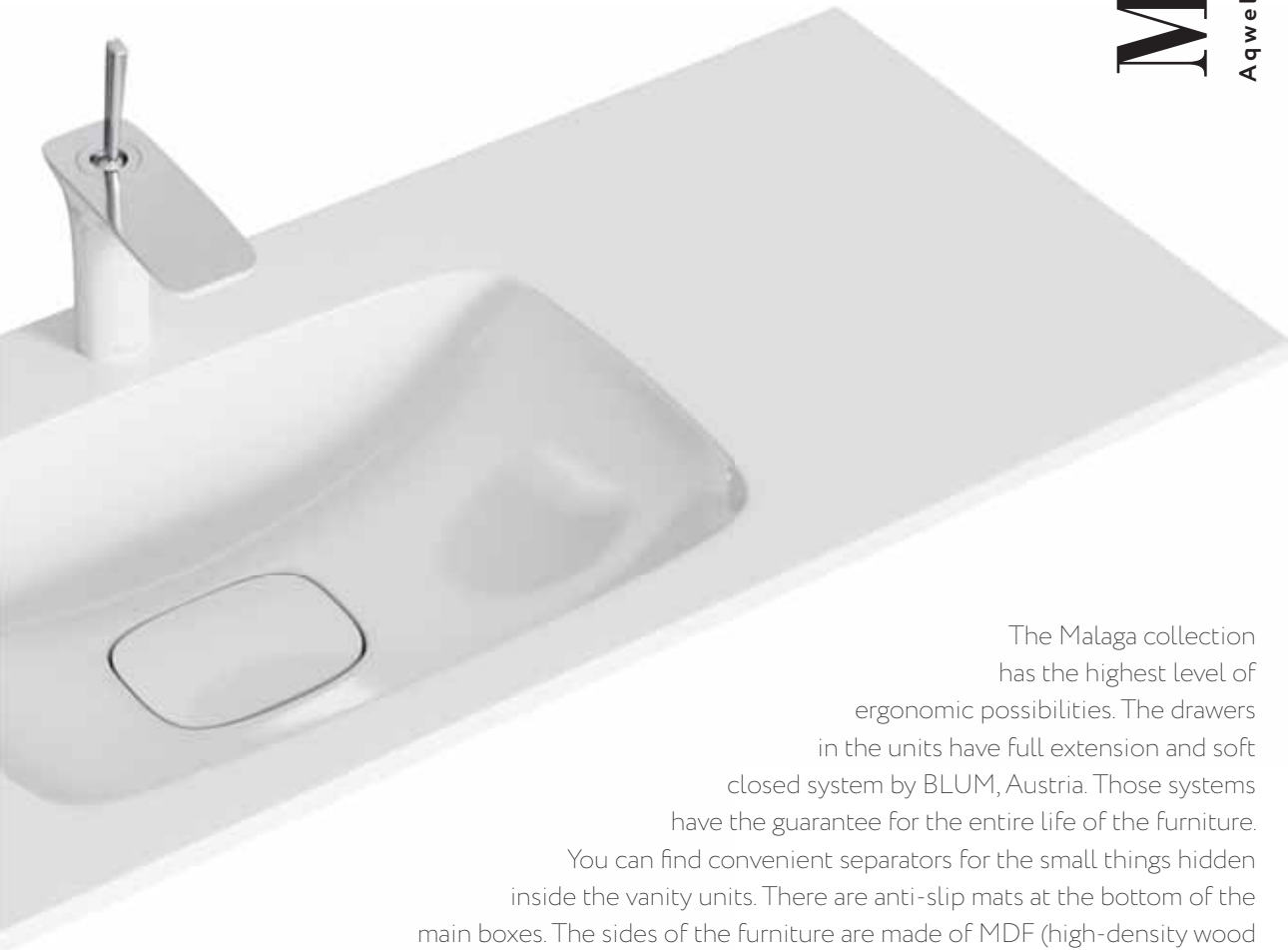
W: 40 – H: 185 – D: 30



A floor vanity unit is complemented with an elegant marble cast washbasin.

Malaga

Aqwella *****



The Malaga collection has the highest level of ergonomic possibilities. The drawers in the units have full extension and soft closed system by BLUM, Austria. Those systems have the guarantee for the entire life of the furniture.

You can find convenient separators for the small things hidden inside the vanity units. There are anti-slip mats at the bottom of the main boxes. The sides of the furniture are made of MDF (high-density wood fiberboard) and are covered with five layers of white high-glossy enamel. The Facades are possible in two versions: made from chipboard with a deep wood texture (the color of craft dark (CD)) or white high gloss color (W) made from MDF (high density fiberboard) covered with 5 layers of high-glossy enamel. There are chrome handles with AQWELLA logo. Vanity units are equipped with marble cast washbasins. Mirrors with LED backlight and touch switch.

W – White high gloss

CD – Dark craft

Number of articles – 7 • Color variations – 2
Technical information at page: 121





5

3

6

7



The sides of the furniture are made of MDF (high-density wood fiber board) and are covered with five layers of white high-glossy enamel. Facades are possible in two versions: made from chipboard with a deep wood texture (the color of craft dark (CD)) or white high gloss color (W) made from MDF (high density fiberboard) covered with 5 layers of high-glossy enamel.



There are convenient separators for the small things hidden inside the vanity units.

1



Vanity unit 90 cm левая
MaL.01.09/L (J/CD)

Washbasin Malaga 900L
MaL.09.04.D-L

Hanging vanity unit with one main drawer, one secret box hidden behind the facade, one small drawer with push-to-open system and one door with hinges installed to the right side of the unit. White high gloss/dark craft colors. Marble cast washbasin.

W: 92 – H: 52 – D: 45

2



Vanity unit 90 cm правая
MaL.01.09/R (J/CD)

Washbasin Malaga 900R
MaL.09.04.D-R

Hanging vanity unit with one main drawer, one secret box hidden behind the facade, one small drawer with push-to-open system and one door with hinges installed to the left side of the unit. White high gloss/dark craft colors. Marble cast washbasin.

W: 92 – H: 52 – D: 45

3

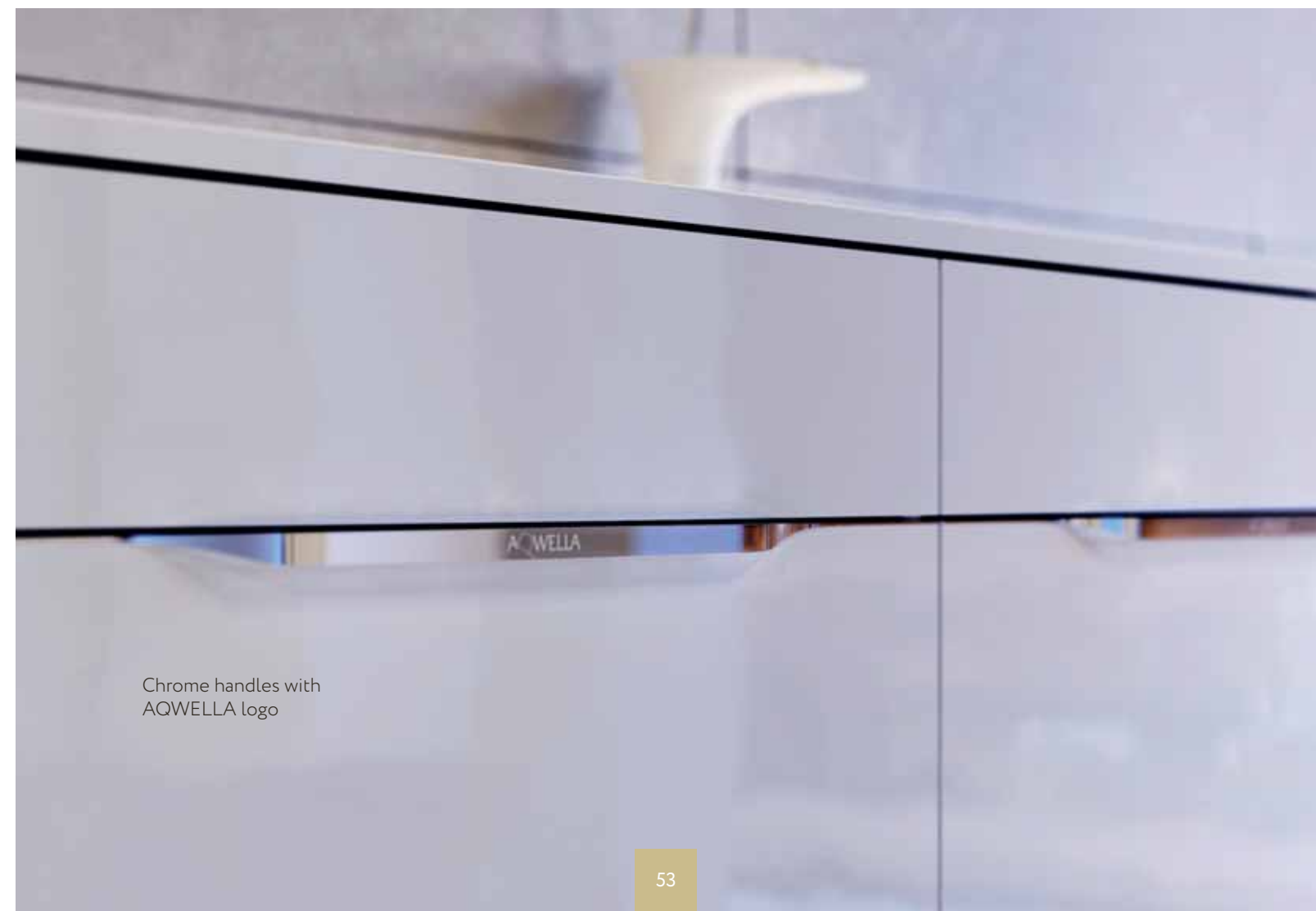


Vanity unit 120 cm
MaL.01.12 (J/CD)

Washbasin Malaga 1200 Duet
MaL.12.04.D

Hanging vanity unit with two main drawers, two secret box hidden behind the facade, one small drawer with push-to-open system and one door with hinges installed to the left side of the unit. White high gloss/dark craft colors. Marble cast washbasin with two bowls.

W: 122 – H: 52 – D: 45



Chrome handles with
AQWELLA logo



4



Mirror 90 cm
MaL.02.09
 Mirror with LED backlight and touch switch
 W: 90 – H: 70 – D: 4

5



Mirror 120 cm
MaL.02.12
 Mirror with LED backlight and touch switch
 W: 120 – H: 70 – D: 4

6



Side Unit 33 cm left
MaL.05.03/L (/CD)
 Side unit with push-to-open drawer and two doors. Upper door is equipped with push-to-open system, lower one could be opened with convenient chrome handle. Hinges are installed to the left side of the unit. White high gloss/dark craft colors.
 W: 33 – H: 150 – D: 31

7



Side Unit 33 cm right
MaL.05.03/R (/CD)
 Side unit with push-to-open drawer and two doors. Upper door is equipped with push-to-open system, lower one could be opened with convenient chrome handle. Hinges are installed to the right side of the unit. White high gloss/dark craft colors.
 W: 33 – H: 150 – D: 31



Miami

Aqwella *****

Miami collection combines the simplicity of shapes and the warmth the natural colors. A wide assortment will allow you to choose furniture for any size bathroom. Marble cast washbasins are available in different sizes of 60, 75, 90 and 100 cm. The carcass is made from practical board, painted with white glossy enamel. While producing the fronts from chipboard we use the laser technology which provides high moisture resistance. Drawers in the units have full extension and soft closed system by BLUM, Austria. Those systems have the guarantee for the entire life of the furniture. The LED backlight of the mirror could be switched on with a touch switch. The mirror itself can be fixed with both vertical and horizontal positions. The doors of the side unit are equipped with "push-to-open" system.

 DS – Sonoma oak

Number of articles – 11 • Color variations – 1
Technical information at page: 122





11

5

Deep functional bowl with decorative insert at the drain point.





The drawers in the units have full extension and soft closed system by BLUM, Austria. Those systems have the guarantee for the entire life of the furniture.

1



Vanity unit 60 cm
Mai.01.06

Washbasin Malaga 600
MaL.06.04.D

Hanging vanity unit with two drawers.
Marble cast washbasin.
W: 62 – H: 54 – D: 45

2



Vanity unit 75 cm
MAI0175

Washbasin Malaga 750
MaL.75.04.D

Hanging vanity unit with two drawers.
Marble cast washbasin.
W: 76 – H: 54 – D: 46

3



Vanity unit 90 cm
Mai.01.09/L

Washbasin Malaga 900L
MaL.09.04.D-L

Hanging vanity unit with two drawers.
Marble cast washbasin.
W: 92 – H: 54 – D: 45

4



Vanity unit 90 cm
Mai.01.09/R

Washbasin Malaga 900R
MaL.09.04.D-R

Hanging vanity unit with two drawers.
Marble cast washbasin.
W: 92 – H: 54 – D: 45

5



Vanity unit 100 cm
MAI0110

Washbasin Malaga 1000
MaL.10.04.D

Hanging vanity unit with two drawers.
Marble cast washbasin.
W: 97 – H: 54 – D: 46

6



Mirror 65 cm
Mai.02.06

Mirror of 65 cm with LED backlight and touch switch.
W: 65 – H: 65 – D: 2

7



Mirror 75 cm
Mai.02.07

Mirror of 75 cm with LED backlight and touch switch.
W: 75 – H: 65 – D: 2

8



Hanging side unit 25cm

Mai.04.25

Side unit which can be installed from the left or from the right side of the mirrors.

W: 25 – H: 65 – D: 17

9



Side Unit 30 cm

Mai.05.03

Hanging universal left/right side unit with two doors which could be opened with "push to open" system. The unit is 30 cm wide.

W: 30 – H: 159 – D: 30

10



Side Unit 40 cm

Mai.05.04

Hanging universal left/right side unit with two doors which could be opened with "push to open" system. The unit is 40 cm wide. It also has open shelves.

W: 40 – H: 159 – D: 30

II



Mirror cabinet 100 cm

MC.04.10

Mirror cabinet with three doors with soft close system

W: 100 – H: 70 – D: 15



The LED backlight of the mirror could be switched on with a touch switch. The mirror itself can be fixed with both vertical and horizontal positions.





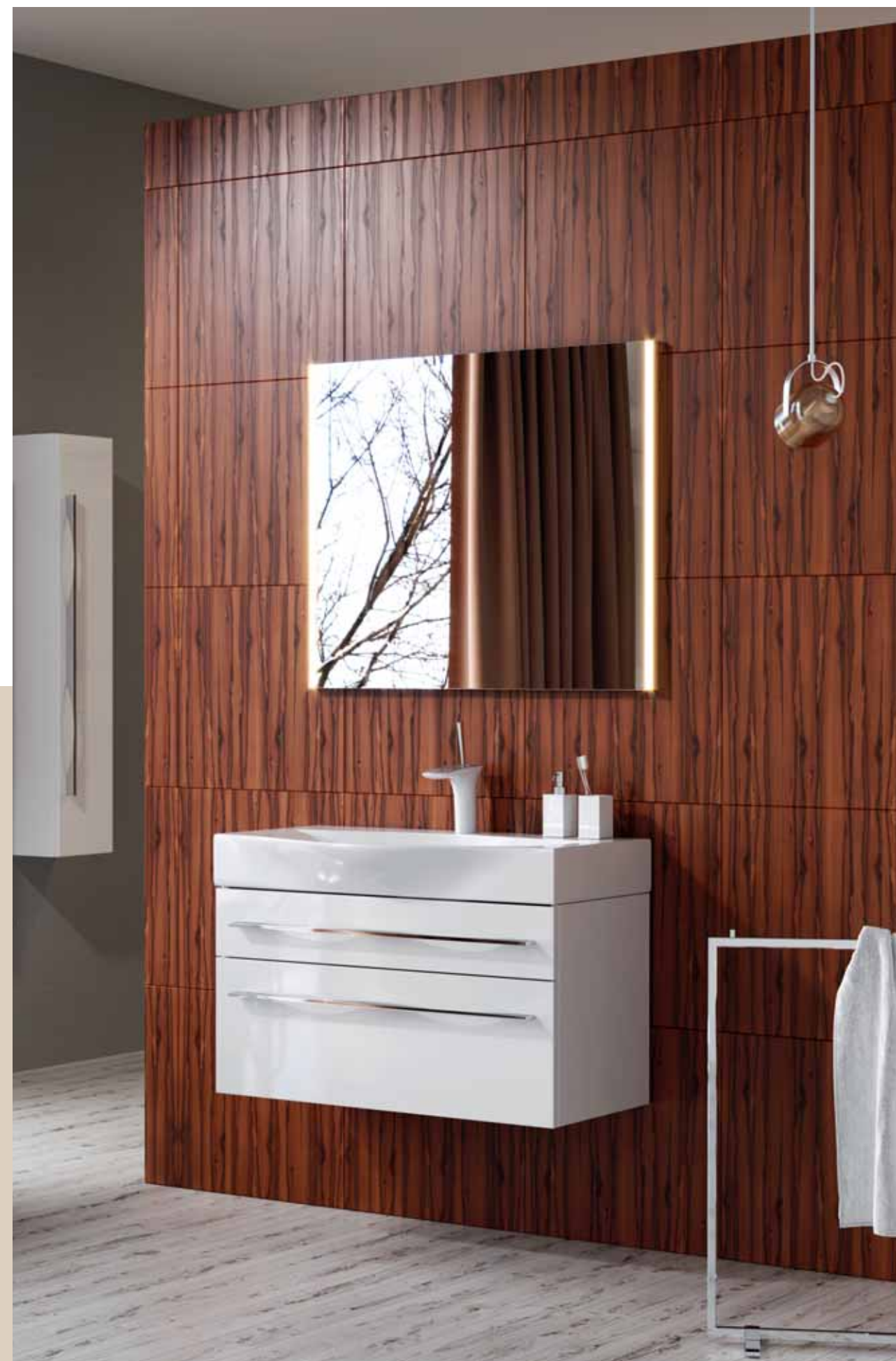
Milan

Aqwella *****

The peculiarity of Milan collection is the rich functionality of the units. The walls of the drawers are made of darkened glass. The upper drawers are equipped with movable plastic dividers for convenient storage of small items. Mirror cabinets have led lighting around the perimeter, as well as an internal switch-socket unit. The marble cast washbasin with a convenient bowl and decorative insert at the place of draining is combined with hanging and floor vanity units. The drawers of the vanity units have full extension and soft closed system by BLUM, Austria. Those systems have the guarantee for the entire life of the furniture. The facades and sides of the furniture are made of high-quality MDF (high-density fiberboard) and covered with 5 layers of white high-gloss enamel. The interior of the drawers is finished in a special color (Eolo) that imitates the fabric. The furniture can also be equipped with moisture-resistant mirrors of SM collection with led lighting, a switch with a motion sensor, and a light level controller.

 W – White high gloss

Number of articles – 9 • Color variations – 1
Technical information at page: 123





9

5

1



AQWELLA



The walls of the drawers are made of darkened glass, and the upper drawers are equipped with movable plastic dividers for convenient storage of small items.

1



Vanity unit 80 cm
Mil.01.08/2/W

Washbasin Bergamo 800
Ber.08.04.D

Hanging vanity unit with two drawers in white high gloss color. Marble cast washbasin.
W: 80 – H: 54 – D: 50

2



Vanity unit 80 cm
Mil.01.08/2n/W

Washbasin Bergamo 800
Ber.08.04.D

Floor-standing vanity unit with two drawers in white high gloss color. Marble cast washbasin.
W: 80 – H: 85 – D: 50

3



Vanity unit 100 cm
Mil.01.10/2/W

Washbasin Bergamo 1000
Ber.10.04.D

Hanging vanity unit with two drawers in white high gloss color. Marble cast washbasin.
W: 100 – H: 54 – D: 51

4



Vanity unit 100 cm
Mil.01.10/2n/W

Washbasin Bergamo 1000
Ber.10.04.D

Floor-standing vanity unit with two drawers in white high gloss color. Marble cast washbasin.
W: 100 – H: 85 – D: 51

5



Mirror cabinet 80 cm

Mil.04.08

Triple mirrors cabinet with led lighting around the perimeter and an internal switch-socket unit.

W: 80 – H: 70 – D: 17

6



Mirror cabinet 100 cm

Mil.04.10

Triple mirrors cabinet with led lighting around the perimeter and an internal switch-socket unit.

W: 100 – H: 70 – D: 17

7



Mirror 80 cm

SM0208

Mirror with LED lighting in metal profile with a switch and a light control.

W: 80 – H: 70 – D: 3

8



Mirror 100 cm

SM0210

Mirror with LED lighting in metal profile with a switch and a light control.

W: 100 – H: 70 – D: 3

9



Side Unit 35 cm

Mil.05.35/W

Hanging universal left/right side unit with one door, soft close system, white high gloss color.

W: 35 – H: 120 – D: 25



Mirrored cabinets have led lighting around the perimeter, as well as an internal switch-socket unit.



Mobi

Aqwella *****

Collection Mobi is available in four sizes: 60, 80, 100 and 120 cm. Facades, sides and countertops are made of MDF with a thickness of only 10 mm.

The collection perfectly fits any modern bathroom interior as there is a possibility to combine facades and carcasses in three colors: light concrete, baltic oak and white high gloss. There is a possibility to use any countertop washbasin.

The special feature is that any countertop washbasin can be installed in any place of the countertop, not just in the center. You can install one or two washbasins at the 100 and 120 cm vanity unit. Mobi vanity units have two drawers: the main one and the inner one, hidden behind the facade. Blum drawer guides ensure smooth and soft closing. Those Blum systems have an eternal guarantee. The inner drawer of the cabinets is equipped with a plastic divider for storing various small items. Regardless of the color of the carcass and facades, the interior finish of the boxes is combined: the sides are light concrete, the bottom is baltic oak. The vanity units include a special siphon that allows you to save space inside the furniture. Therefore, the inner drawer of the cabinets has a full size. Mobi mirror cabinets do not have inner partitions, that allows to maximize the use of internal space. The sides of the mirror cabinet can be of three colors. Similarly to the vanity units, it is possible to combine the colors of the carcasses and facades of the side unit. Side unit has the doors with push-to-open system (open by pressing). Hinges are made in Austria by Blum. The width of the universal left / right side unit is 36.5 cm. All items in the collection are equipped with Italian Camar fastenings that can sustain a weight up to 200 kg.

W – White high gloss
 BS – Light concrete
 DB – Baltic oak

Number of articles – 13 • Color variations – 9
 Technical information at page: 124





41

40

34

38



All items in the collection are equipped with Italian Camar fastenings that can sustain a weight up to 200 kg.

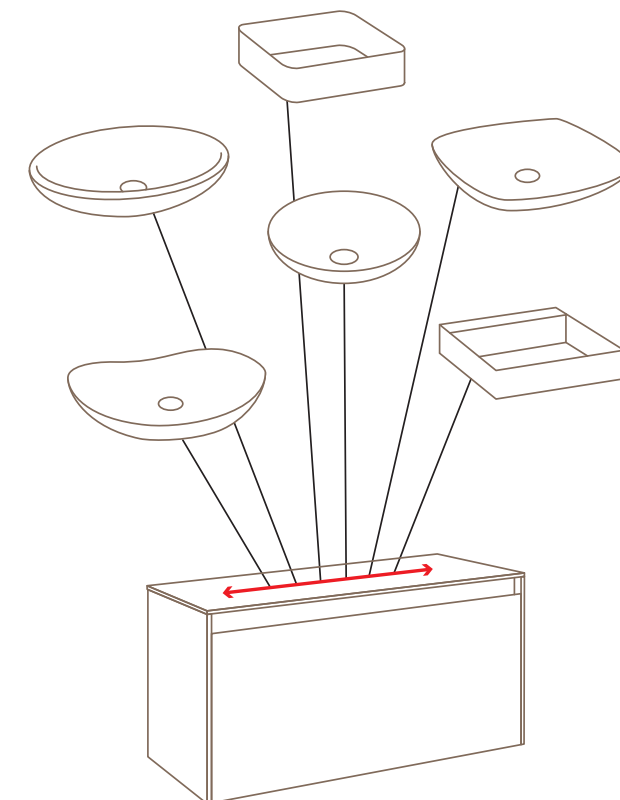


Washbasin Joy,
Dreja



Washbasin Olympia 560,
Kirovit

**THERE IS A POSSIBILITY TO USE ANY
COUNTERTOP WASHBASIN**



**THE SPECIAL FEATURE IS THAT ANY COUNTERTOP WASHBASIN CAN BE INSTALLED
IN ANY PLACE OF THE COUNTERTOP, NOT JUST IN THE CENTER**

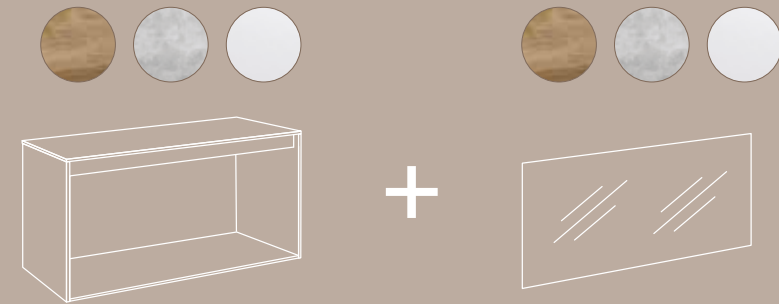
You can see the recommended countertop washbasins at the page number 91



Facades, sides and countertops are made of MDF with a thickness of only 10 mm.

3 COLORS OF FACADES x 3 COLORS OF CARCASSES = 9 COLOR VARIATION

Mobi Collection perfectly fits any modern bathroom interior as there is a possibility to combine facades and carcasses in three colors: light concrete, baltic oak and white high gloss.



Side unit has the doors with push-to-open system (open by pressing).



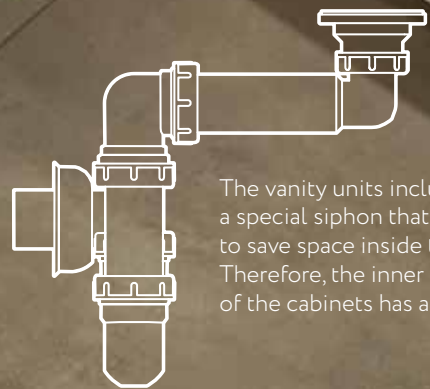
The sides of mirror cabinet can be of 3 colors.





You can install one or two washbasins at the 100 and 120 cm vanity unit.

The inner drawer of the cabinets is equipped with a plastic divider for storing various small items.



The vanity units include a special siphon that allows you to save space inside the furniture. Therefore, the inner drawer of the cabinets has a full size.



Mobi mirror cabinets do not have inner partitions, that allows to maximize the use of internal space.



Regardless of the color of the carcass and facades, the interior finish of the boxes is combined: the sides are light concrete, the bottom is baltic oak.



← 60 cm
 ← 80 cm
 ← 100 cm
 ← 120 cm

Collection Mobi is available in four sizes: 60, 80, 100 and 120 cm.

60 cm



Carcass MOB0106BS №1
Facade MOB0706BS №4



Carcass MOB0106BS №1
Facade MOB0706DB №5



Carcass MOB0106BS №1
Facade MOB0706W №6



Carcass MOB0406 №7
Sides MOB0717BS №8



Carcass MOB0106DB №2
Facade MOB0706BS №4



Carcass MOB0106DB №2
Facade MOB0706DB №5



Carcass MOB0106DB №2
Facade MOB0706W №6



Carcass MOB0406 №7
Sides MOB0717DB №9



Carcass MOB0106W №3
Facade MOB0706BS №4



Carcass MOB0106W №3
Facade MOB0706DB №5



Carcass MOB0106W №3
Facade MOB0706W №6



Carcass MOB0406 №7
Sides MOB0717W №10

Number	Article	Name	Description
1	MOB0106BS	Carcass of hanging vanity unit, light concrete color. W: 61 - H: 51 - D: 50	2 drawers with Blum slow-motion system. Main drawer and internal drawer, hidden behind a facade; one special syphon in the set.
2	MOB0106DB	Carcass of hanging vanity unit, baltic oak color. W: 61 - H: 51 - D: 50	2 drawers with Blum slow-motion system. Main drawer and internal drawer, hidden behind a facade; one special syphon in the set.
3	MOB0106W	Carcass of hanging vanity unit, white high gloss color. W: 61 - H: 51 - D: 50	2 drawers with Blum slow-motion system. Main drawer and internal drawer, hidden behind a facade; one special syphon in the set.
4	MOB0706BS	Facade for vanity unit, light concrete color	
5	MOB0706DB	Facade for vanity unit, baltic oak color	
6	MOB0706W	Facade for vanity unit, white high gloss color	
7	MOB0406	Carcass of mirror cabinet, universal left/ right side. W: 61 - H: 60 - D: 17	1 door with soft close hinges, 2 glass shelves in the set
8	MOB0717BS	Set of the sides for mirror cabinet, light concrete color	
9	MOB0717DB	Set of the sides for mirror cabinet, baltic oak color	
10	MOB0717W	Set of the sides for mirror cabinet, white high gloss color	
11	SM0206	Mirror with LED lighting in metal profile with a switch and a light control, 60 cm wide. W: 60 - H: 70 - D: 3	Sensor switch and illumination control



SM0206 №11

80 cm



Carcass MOB0108BS №12 Carcass MOB0108BS №12 Carcass MOB0108BS №12 Carcass MOB0408 №18
 Facade MOB0708BS №15 Facade MOB0708DB №16 Facade MOB0708W №17 Sides MOB0717BS №19



Carcass MOB0108DB №13 Carcass MOB0108DB №13 Carcass MOB0108DB №13 Carcass MOB0408 №18
 Facade MOB0708BS №15 Facade MOB0708DB №16 Facade MOB0708W №17 Sides MOB0717DB №20



Carcass MOB0108W №14 Carcass MOB0108W №14 Carcass MOB0108W №14 Carcass MOB0408 №18
 Facade MOB0708BS №15 Facade MOB0708DB №16 Facade MOB0708W №17 Sides MOB0717W №21

Number	Article	Name	Description
12	MOB0108BS	Carcass of hanging vanity unit, light concrete color. W: 80 - H: 51 - D: 50	2 drawers with Blum slow-motion system. Main drawer and internal drawer, hidden behind a facade; one special syphon in the set.
13	MOB0108DB	Carcass of hanging vanity unit, baltic oak color. W: 80 - H: 51 - D: 50	2 drawers with Blum slow-motion system. Main drawer and internal drawer, hidden behind a facade; one special syphon in the set.
14	MOB0108W	Carcass of hanging vanity unit, white high gloss color. W: 80 - H: 51 - D: 50	2 drawers with Blum slow-motion system. Main drawer and internal drawer, hidden behind a facade; one special syphon in the set.
15	MOB0708BS	Facade for vanity unit, light concrete color	
16	MOB0708DB	Facade for vanity unit, baltic oak color	
17	MOB0708W	Facade for vanity unit, white high gloss color	
18	MOB0408	Carcass of mirror cabinet. W: 80 - H: 60 - D: 17	2 doors with soft close hinges, 2 glass shelves in the set
19	MOB0717BS	Set of the sides for mirror cabinet, light concrete color	
20	MOB0717DB	Set of the sides for mirror cabinet, baltic oak color	
21	MOB0717W	Set of the sides for mirror cabinet, white high gloss color	
22	SM0208	Mirror with LED lighting in metal profile with a switch and a light control, 80 cm wide. W: 80 - H: 70 - D: 3	Sensor switch and illumination control



SM0208 №22

100 cm



Carcass MOB0110BS №23 Carcass MOB0110BS №23 Carcass MOB0110BS №23 Carcass MOB0410 №29
 Facade MOB0710BS №26 Facade MOB0710DB №27 Facade MOB0710W №28 Sides MOB0717BS №30



Carcass MOB0110DB №24 Carcass MOB0110DB №24 Carcass MOB0110DB №24 Carcass MOB0410 №29
 Facade MOB0710BS №26 Facade MOB0710DB №27 Facade MOB0710W №28 Sides MOB0717DB №31



Carcass MOB0110W №25 Carcass MOB0110W №25 Carcass MOB0110W №25 Carcass MOB0410 №29
 Facade MOB0710BS №26 Facade MOB0710DB №27 Facade MOB0710W №28 Sides MOB0717W №32

Number	Article	Name	Description
23	MOB0110BS	Carcass of hanging vanity unit, light concrete color. W: 100 - H: 51 - D: 50	2 drawers with Blum slow-motion system. Main drawer and internal drawer, hidden behind a facade; one special syphon in the set.
24	MOB0110DB	Carcass of hanging vanity unit, baltic oak color. W: 100 - H: 51 - D: 50	2 drawers with Blum slow-motion system. Main drawer and internal drawer, hidden behind a facade; one special syphon in the set.
25	MOB0110W	Carcass of hanging vanity unit, white high gloss color. W: 100 - H: 51 - D: 50	2 drawers with Blum slow-motion system. Main drawer and internal drawer, hidden behind a facade; one special syphon in the set.
26	MOB0710BS	Facade for vanity unit, light concrete color	
27	MOB0710DB	Facade for vanity unit, baltic oak color	
28	MOB0710W	Facade for vanity unit, white high gloss color	
29	MOB0410	Carcass of mirror cabinet. W: 100 - H: 60 - D: 17	2 doors with soft close hinges, 2 glass shelves in the set
30	MOB0717BS	Set of the sides for mirror cabinet, light concrete color	
31	MOB0717DB	Set of the sides for mirror cabinet, baltic oak color	
32	MOB0717W	Set of the sides for mirror cabinet, white high gloss color	
33	SM0210	Mirror with LED lighting in metal profile with a switch and a light control, 100 cm wide. W: 100 - H: 70 - D: 3	Sensor switch and illumination control



SM0210 №33

120 cm



Carcass MOB0112BS №34 Carcass MOB0112BS №34 Carcass MOB0112BS №34 Carcass MOB0412 №40
 Facade MOB0712BS №37 Facade MOB0712DB №38 Facade MOB0712W №39 Sides MOB0717BS №41



Carcass MOB0112DB №35 Carcass MOB0112DB №35 Carcass MOB0112DB №35 Carcass MOB0412 №40
 Facade MOB0712BS №37 Facade MOB0712DB №38 Facade MOB0712W №39 Sides MOB0717DB №42



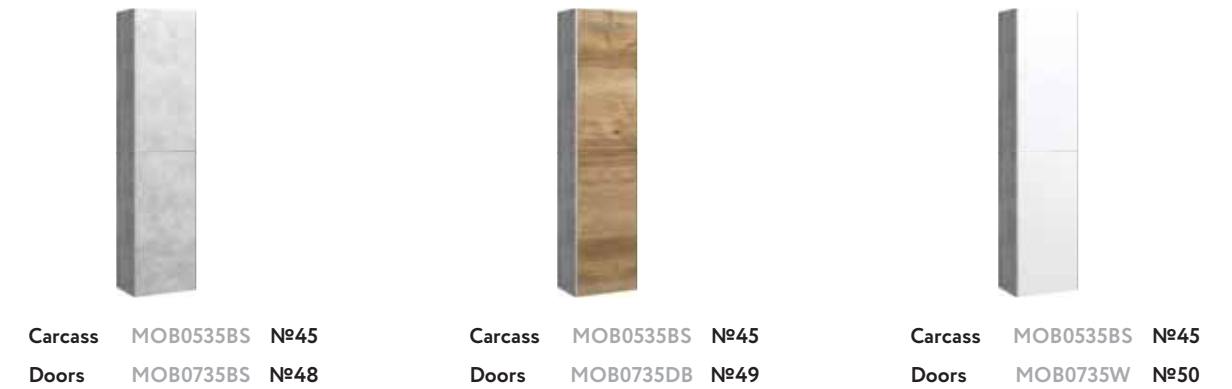
Carcass MOB0112W №36 Carcass MOB0112W №36 Carcass MOB0112W №36 Carcass MOB0412 №40
 Facade MOB0712BS №37 Facade MOB0712DB №38 Facade MOB0712W №39 Sides MOB0717W №43

Number	Article	Name	Description
34	MOB0112BS	Carcass of hanging vanity unit, light concrete color. W: 120 - H: 51 - D: 50	2 drawers with Blum slow-motion system. Main drawer and internal drawer, hidden behind a facade; one special syphon in the set.
35	MOB0112DB	Carcass of hanging vanity unit, baltic oak color. W: 120 - H: 51 - D: 50	2 drawers with Blum slow-motion system. Main drawer and internal drawer, hidden behind a facade; one special syphon in the set.
36	MOB0112W	Carcass of hanging vanity unit, white high gloss color. W: 120 - H: 51 - D: 50	2 drawers with Blum slow-motion system. Main drawer and internal drawer, hidden behind a facade; one special syphon in the set.
37	MOB0712BS	Facade for vanity unit, light concrete color	
38	MOB0712DB	Facade for vanity unit, baltic oak color	
39	MOB0712W	Facade for vanity unit, white high gloss color	
40	MOB0412	Carcass of mirror cabinet W: 120 - H: 60 - D: 17	2 doors with soft close hinges, 2 glass shelves in the set
41	MOB0717BS	Set of the sides for mirror cabinet, light concrete color	
42	MOB0717DB	Set of the sides for mirror cabinet, baltic oak color	
43	MOB0717W	Set of the sides for mirror cabinet, white high gloss color	
44	GEN0212	Mirror with LED lighting in metal profile with a switch and a light control, 120 cm wide. W: 120 - H: 70 - D: 3	Сенсорный выключатель и система обогрева от запотевания



GEN0212 №44

Side Units



Carcass MOB0535BS №45 Carcass MOB0535BS №45 Carcass MOB0535BS №45
 Doors MOB0735BS №48 Doors MOB0735DB №49 Doors MOB0735W №50



Carcass MOB0535DB №46 Carcass MOB0535DB №46 Carcass MOB0535DB №46
 Doors MOB0735BS №48 Doors MOB0735DB №49 Doors MOB0735W №50



Carcass MOB0535W №47 Carcass MOB0535W №47 Carcass MOB0535W №47
 Doors MOB0735BS №48 Doors MOB0735DB №49 Doors MOB0735W №50

Number	Article	Name	Description
45	MOB0535BS	Carcass of hanging side unit, 36,5 cm wide, light concrete color. W: 36,5 - H: 150 - D: 24	2 doors with soft close hinges, 4 glass shelves and 1 chipboard shelf in the set
46	MOB0535DB	Carcass of hanging side unit, 36,5 cm wide, baltic oak color. W: 36,5 - H: 150 - D: 24	2 doors with soft close hinges, 4 glass shelves and 1 chipboard shelf in the set
47	MOB0535W	Carcass of hanging side unit, 36,5 cm wide, white high gloss color. W: 36,5 - H: 150 - D: 24	2 doors with soft close hinges, 4 glass shelves and 1 chipboard shelf in the set
48	MOB0735BS	Set of doors for hanging side unit, 36,5 cm wide, light concrete color	
49	MOB0735DB	Set of doors for hanging side unit, 36,5 cm wide, baltic oak color	
50	MOB0735W	Set of doors for hanging side unit, 36,5 cm wide, white high gloss color	

RECOMMENDED WASHBASINS



Washbasin Joy, Dreja
Ceramics
W: 46 - H: 12 - D: 39



Washbasin Olympia 560, Kirovit
Ceramics
W: 56 - H: 14 - D: 35



Washbasin Triumph, Dreja
Ceramics
W: 58 - H: 17 - D: 34



Washbasin Olymp 570, Kirovit
Ceramics
W: 57 - H: 15 - D: 47

Neringa

Aqwella *****



The main item of the Neringa collection is a suspended vanity unit of 80 cm width with a curved facade. Front and the sides of the furniture are made from MDF covered with five layers of glossy enamel.

The top drawer has a plastic tray with three storage compartments. Blum drawer guides ensure smooth and soft closing. Those Blum systems have an eternal guarantee. The interior is finished in a special color (Eolo) that imitates the fabric. The furniture is equipped with an exclusive washbasin with a trapezoid-shaped bowl. The front side of washbasin follows the curved shape of the facade. The drain area is covered with a decorative insert. The washbasin is made of marble cast. The metal chrome handle is engraved with the AQWELLA logo. Touch switches on the Neringa mirror allow you to turn on heating and lighting both separately and together. The led lamp of the mirror cabinet gives a soft and uniform light. This also illuminates the space inside the cabinet. Touch switch works after hand movement and it has a light controller.

 W – White high gloss

Number of articles – 6 • Color variations – 1
Technical information at page: 126





6

3

1

5

5



The main item of the Neringa collection is a suspended vanity unit of 80 cm width with a curved facade.



The top drawer has a plastic tray with three storage compartments. The interior decoration of the elements is finished in a special color (Eolo) that imitates the fabric.



The led lamp of the mirror cabinet gives a soft and uniform light. This also illuminates the space inside the cabinet.



The drain area is covered with a decorative insert. The washbasin is made of marble cast.



Touch switches on the Neringa mirror allow you to turn on heating and lighting both separately and together.

1



Vanity unit 80 cm

NER0108

Hanging vanity unit with two drawers, white high gloss color. Marble cast washbasin.

W: 80 – H: 54 – D: 48

Washbasin Neringa 800

Ner.08.04.D

2



Mirror cabinet 80 cm

NER0408

Two doors mirror cabinet with LED light which also illuminate the internal space of the cabinet. Touch switch works after hand movement and it has a light controller.

W: 80 – H: 76 – D: 17

3



Mirror 80 cm

NER0208

Mirror with LED lighting in metal profile with two touches for heating and lighting which could be turned on either together or separately.

W: 80 – H: 82 – D: 3

4



Mirror 80 cm

SM0208

Mirror with LED lighting in metal profile with a sensor switch and a light control

W: 80 – H: 70 – D: 3

5



Side Unit 25 cm

An.05.25/W

Hanging universal left/right side unit with one door and push-to-open opening system, white high gloss color

W: 25 – H: 120 – D: 20

6



Side Unit 35 cm

An.05.35/W

Hanging universal left/right side unit with one door and push-to-open opening system, white high gloss color

W: 35 – H: 120 – D: 25



Verona

Aqwella *****



Minimalism focused on functionality - that is the best way to describe the units of Verona collection. The facades and sides are made of MDF (high-density fiberboard). The items are available in two colors: white-high-gloss enamel applied in five layers, and acacia, covered with a high-quality film with a deep wood structure. Suspended vanity units are equipped with marble cast washbasins. Blum drawer guides ensure smooth and soft closing. The Blum systems have an eternal guarantee. There is also a shelf for storing various items behind the facade. The interior decoration of the elements is finished in a special color (Eolo), that imitates the fabric. The furniture can be also equipped with moisture-resistant mirrors of SM collection with led lighting, a switch with a motion sensor, and a light level controller.

W - White high gloss A - Acacia

Number of articles — 6 • Color variations — 2
Technical information at page: 126





5

4

2

1



Vanity unit 80 cm

Ver.01.08/(A/W)

Hanging vanity a drawer and a shelf which is hidden behind the facade, acacial white high gloss color. Marble cast washbasin.

W: 80 – H: 46 – D: 40

Washbasin Infinity 800

Inf.08.04.D

2



Vanity unit 100 cm

Ver.01.10/(A/W)

Hanging vanity a drawer and a shelf which is hidden behind the facade, acacial white high gloss color. Marble cast washbasin.

W: 100 – H: 46 – D: 40

Washbasin Infinity 1000

Inf.10.04.D

3



Mirror 80 cm

SM0208

Mirror with LED lighting in metal profile with a sensor switch and a light control

W: 80 – H: 70 – D: 3

4



Mirror 100 cm

SM0210

Mirror with LED lighting in metal profile with a sensor switch and a light control

W: 100 – H: 70 – D: 3



Blum drawer guides ensure smooth and soft closing. Those Blum systems have an eternal guarantee. There is also a shelf for storing various items behind the facade.



The furniture can be also equipped with moisture-resistant mirrors of SM collection with led lighting, a switch with a motion sensor, and a light level controller.

5



Side Unit 25 cm
An.05.25/(A/W)

Hanging universal left/ right side unit with one door and push-to-open opening system, acacia/ white high gloss color
W: 25 – H: 120 – D: 20

6

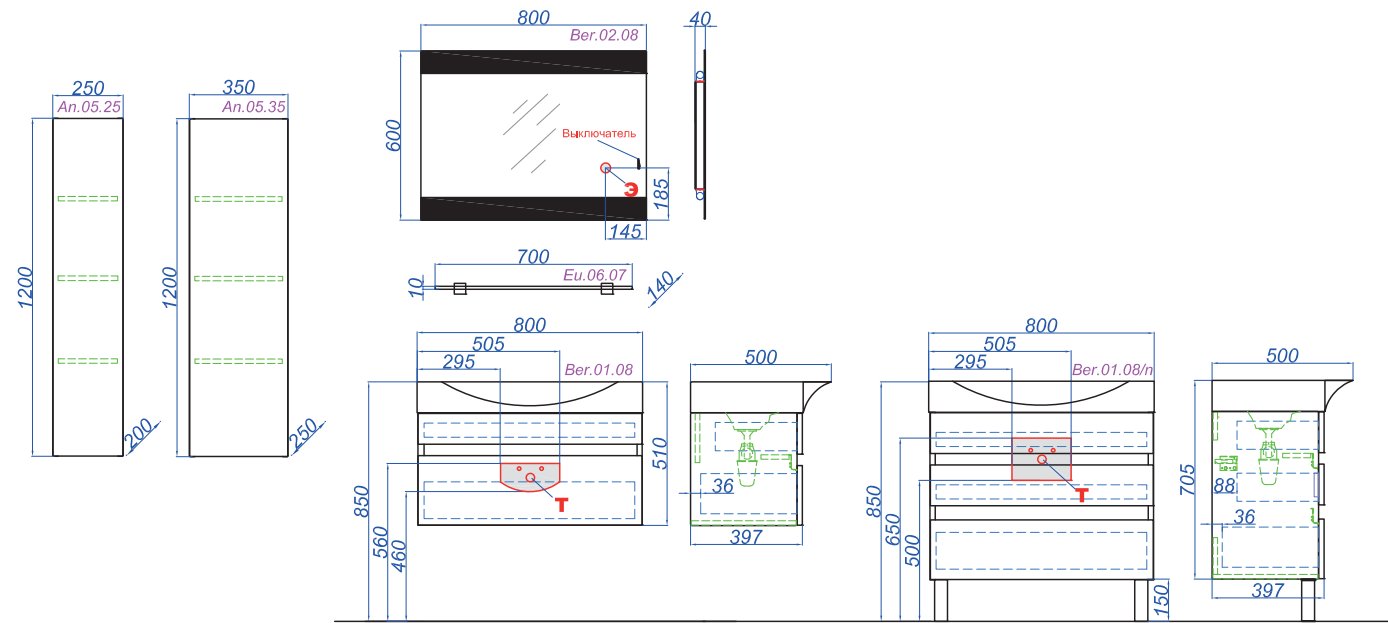


Side Unit 35 cm
An.05.35/(A/W)

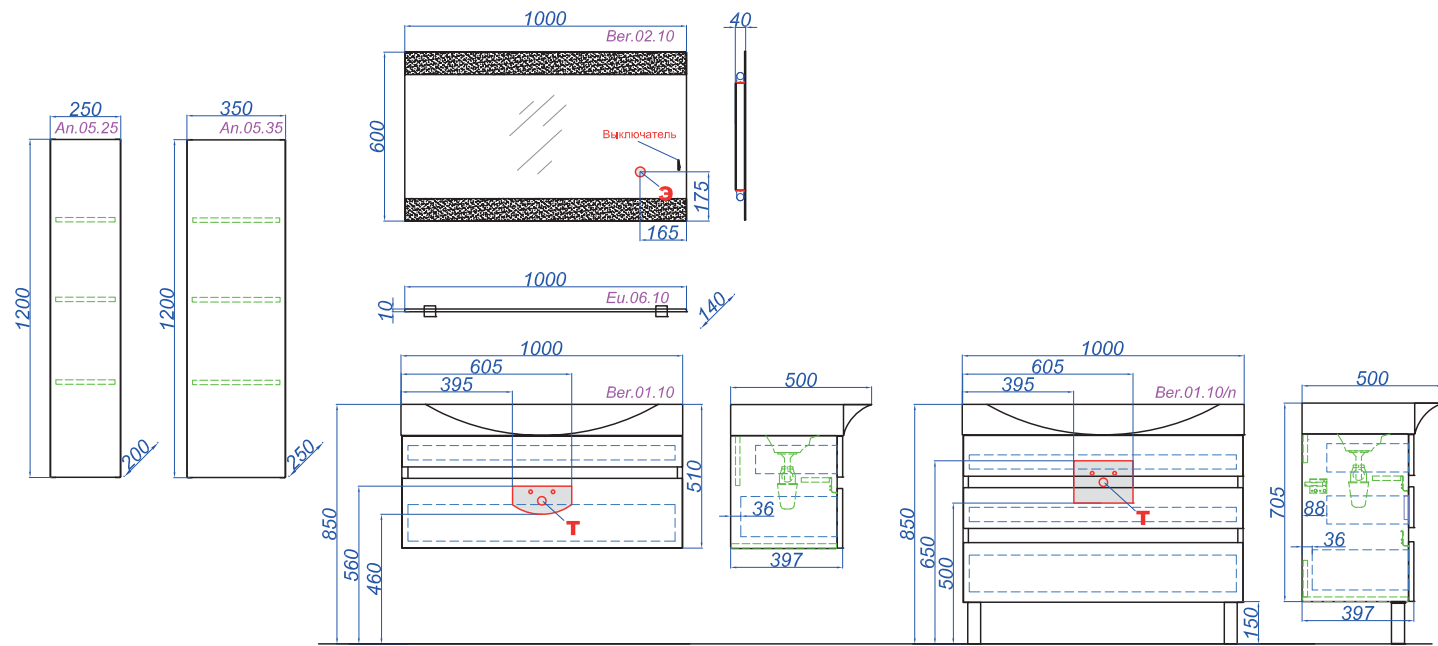
Hanging universal left/ right side unit with one door and push-to-open opening system, acacia/ white high gloss color
W: 35 – H: 120 – D: 25

Bergamo 800

W – White high gloss A – Acacia



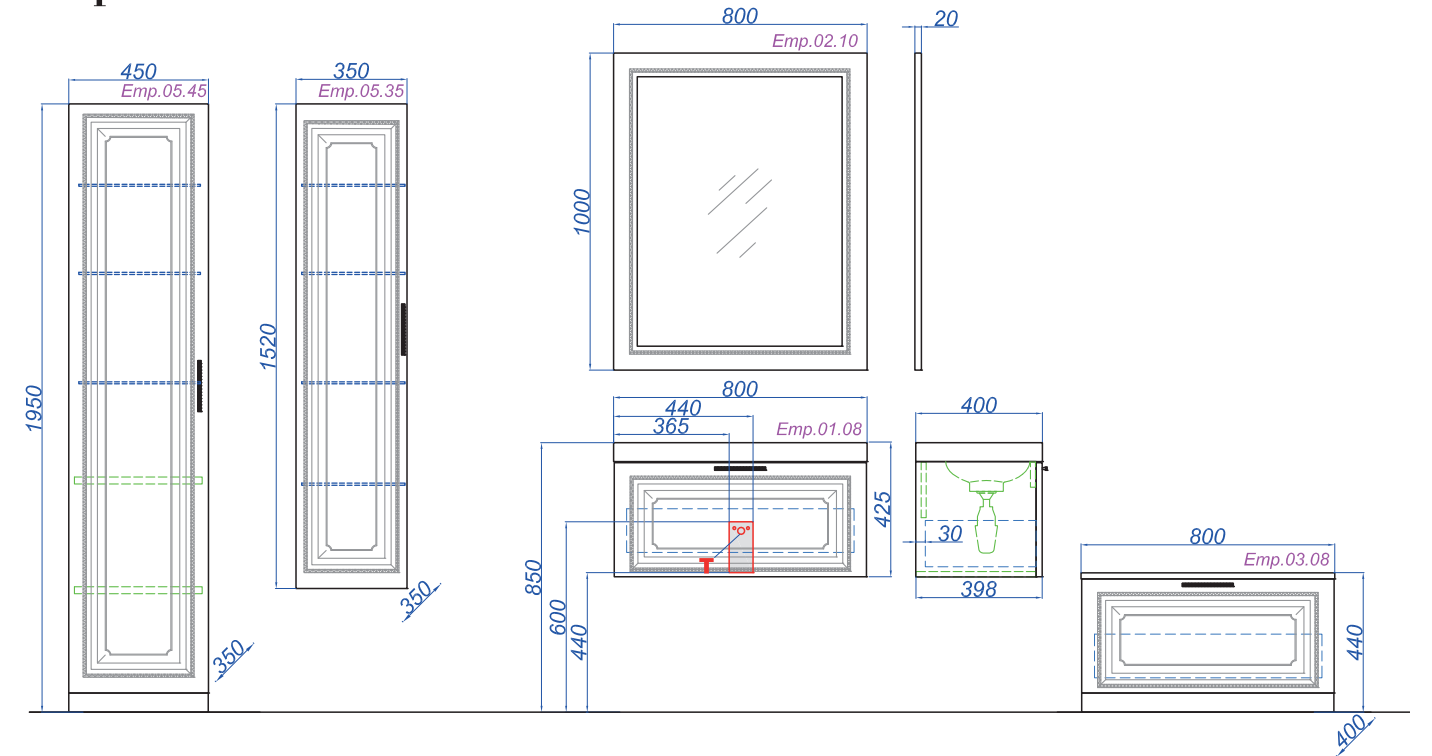
Bergamo 1000



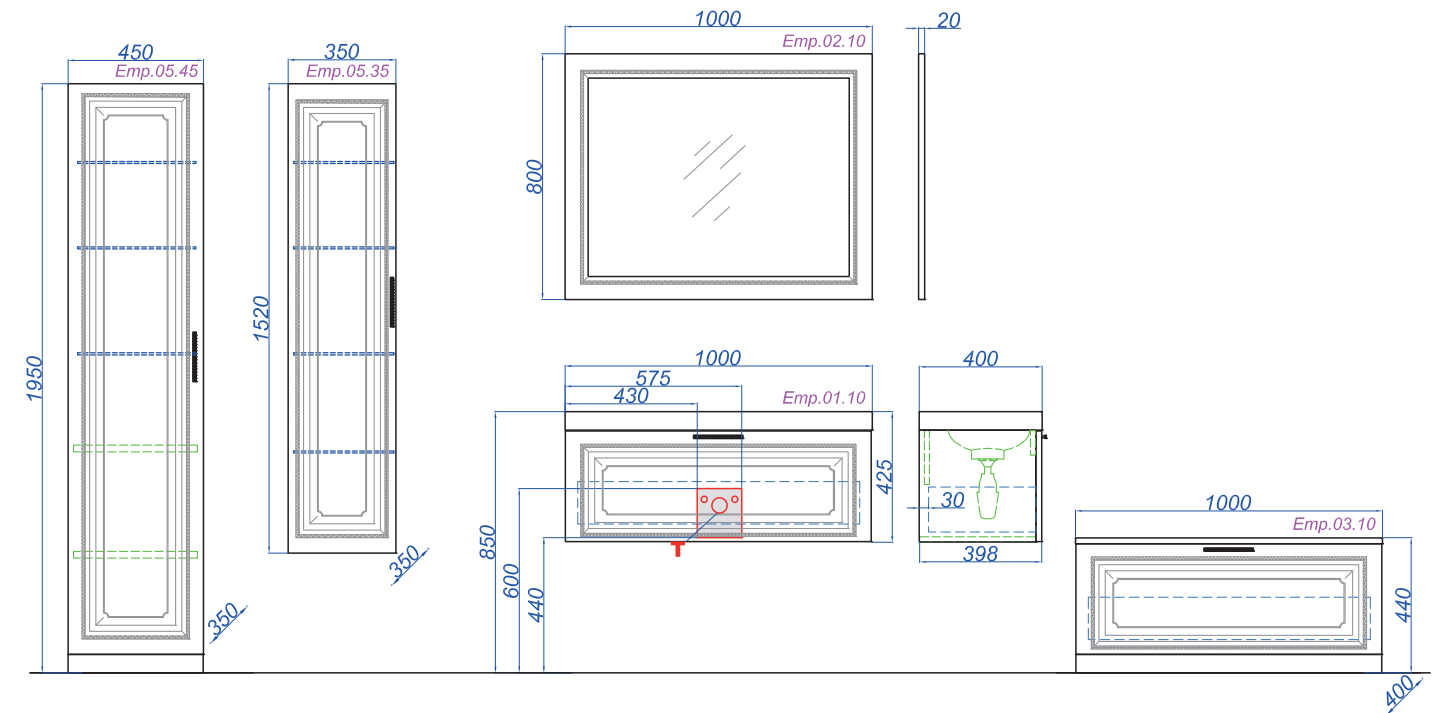
T – water outlet and drain
E – electrical wire lead point

Empire 800

W – White high gloss



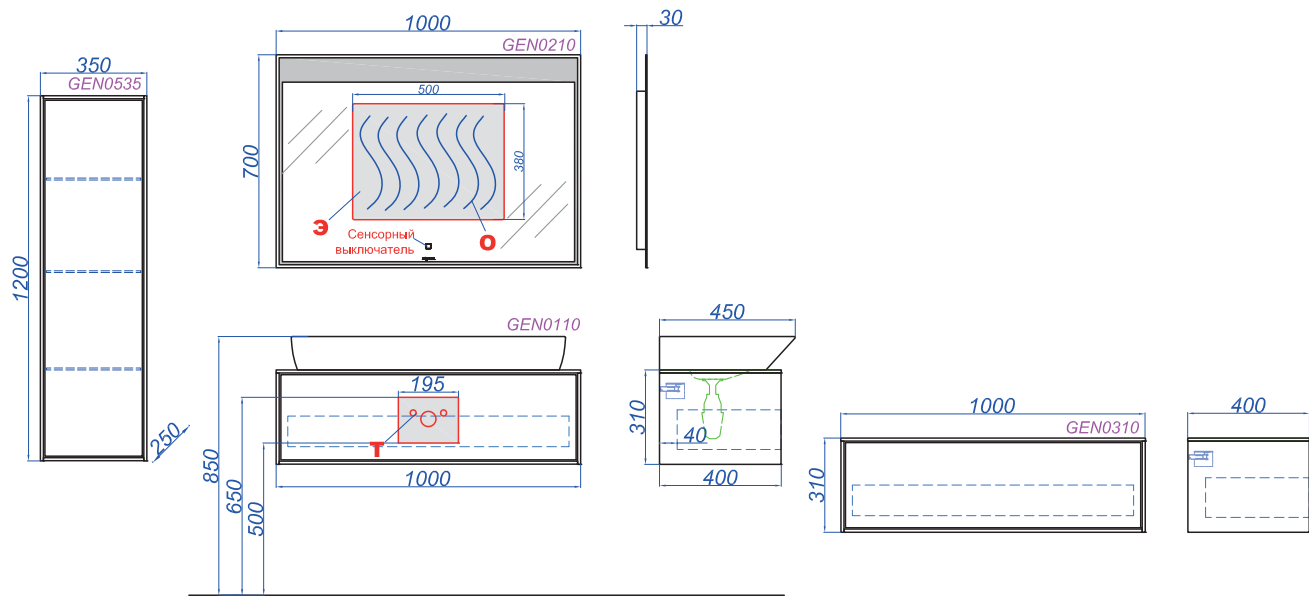
Empire 1000



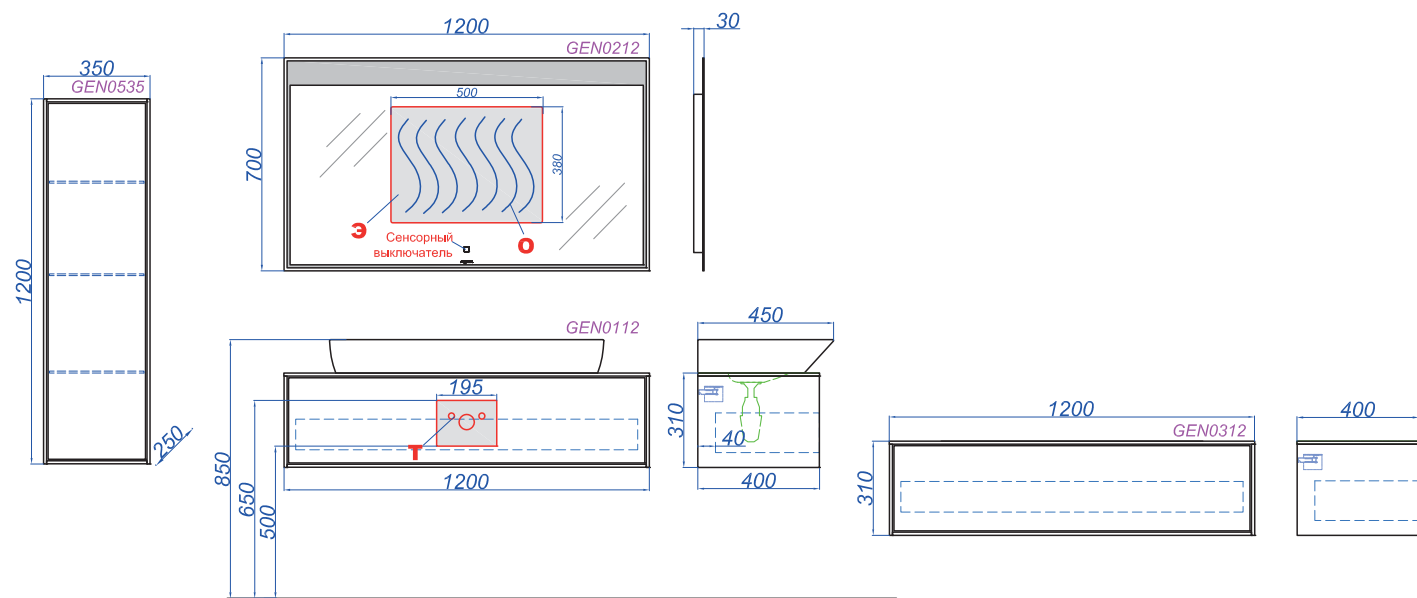
T – water outlet and drain
E – electrical wire lead point

Genesis 1000

MG – Millennium gray W – White high gloss



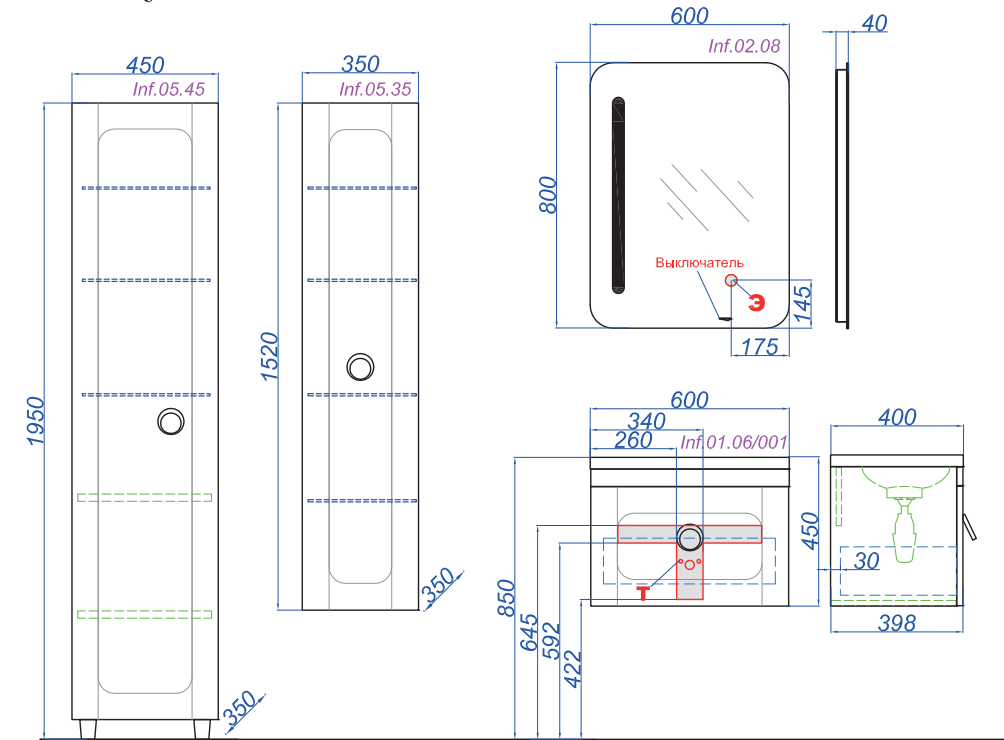
Genesis 1200



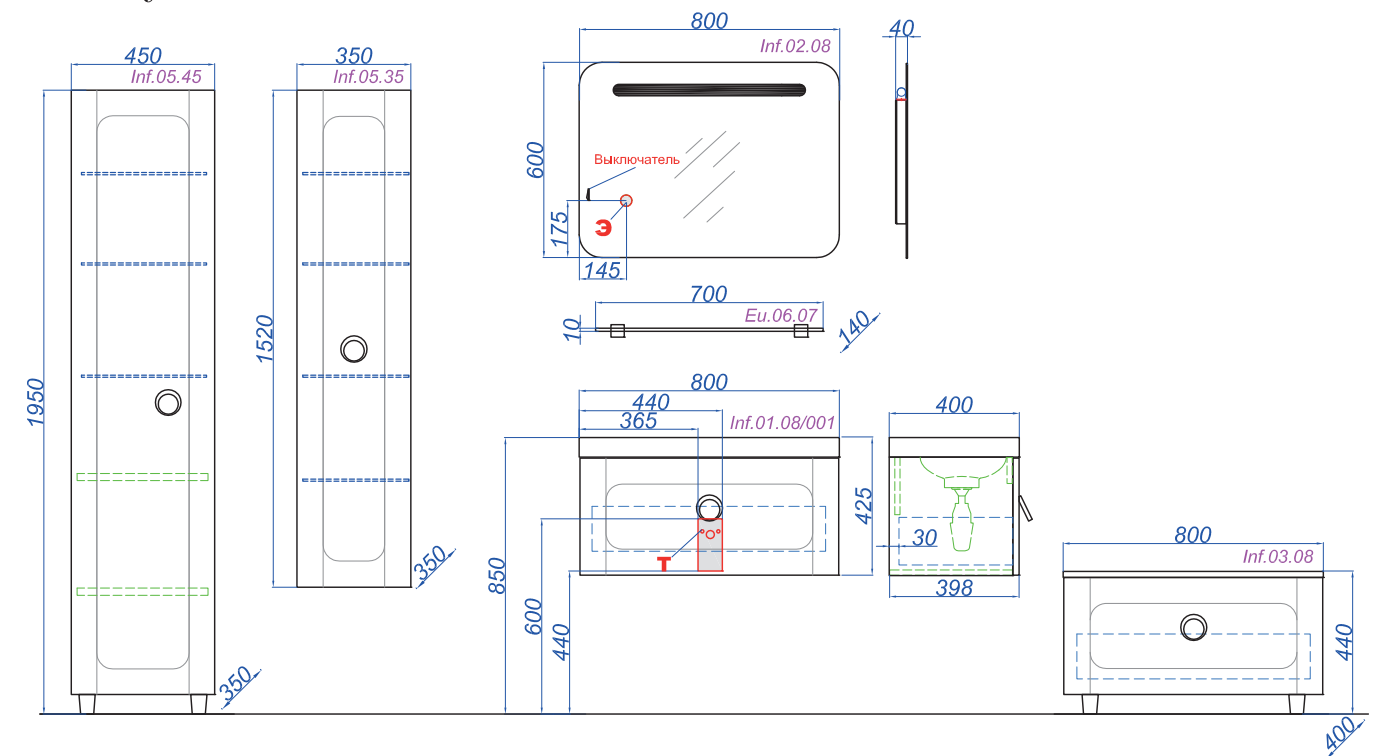
T – water outlet and drain
3 – electrical wire lead point
O – mirror heating area

Infinity 600

W – White high gloss BLK – Black high gloss

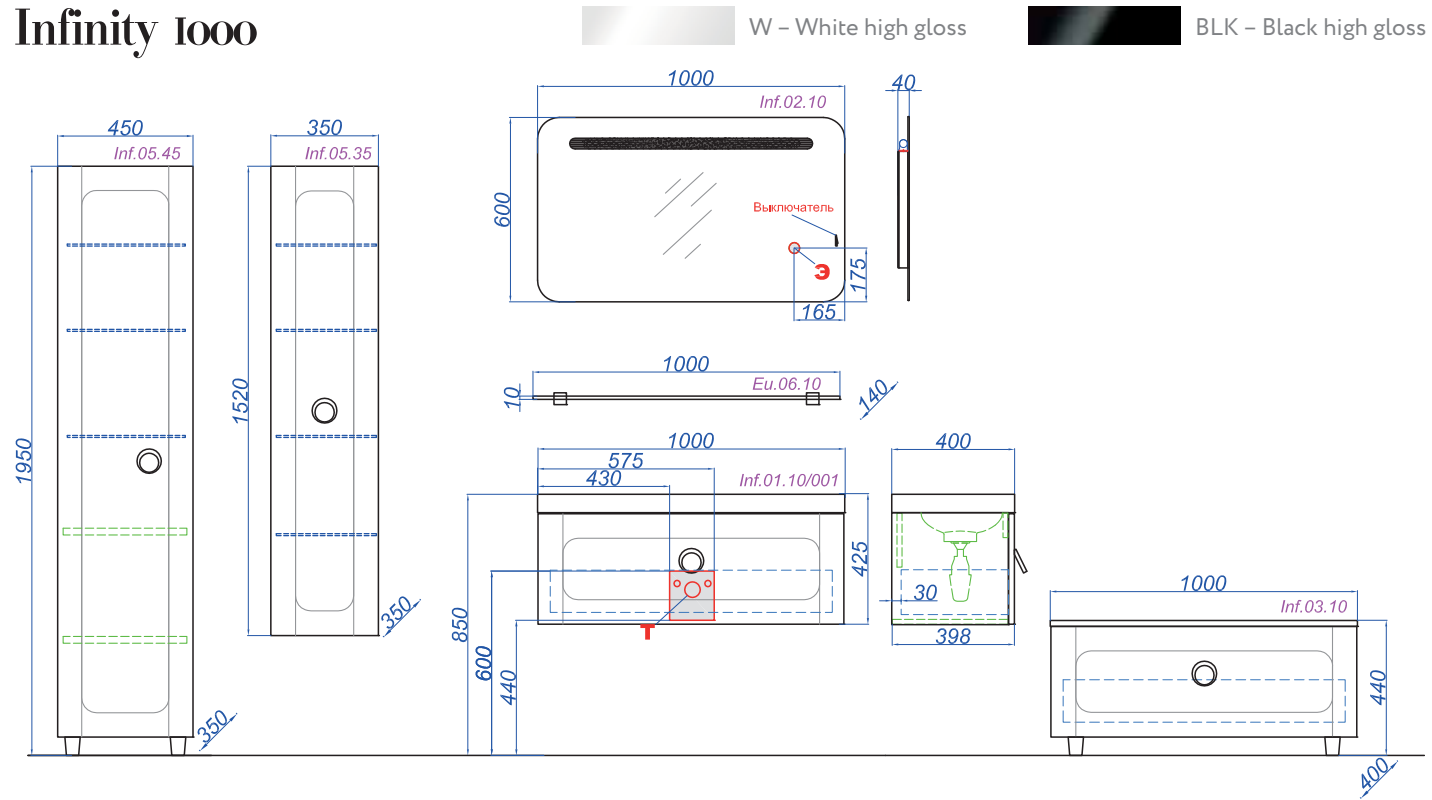


Infinity 800

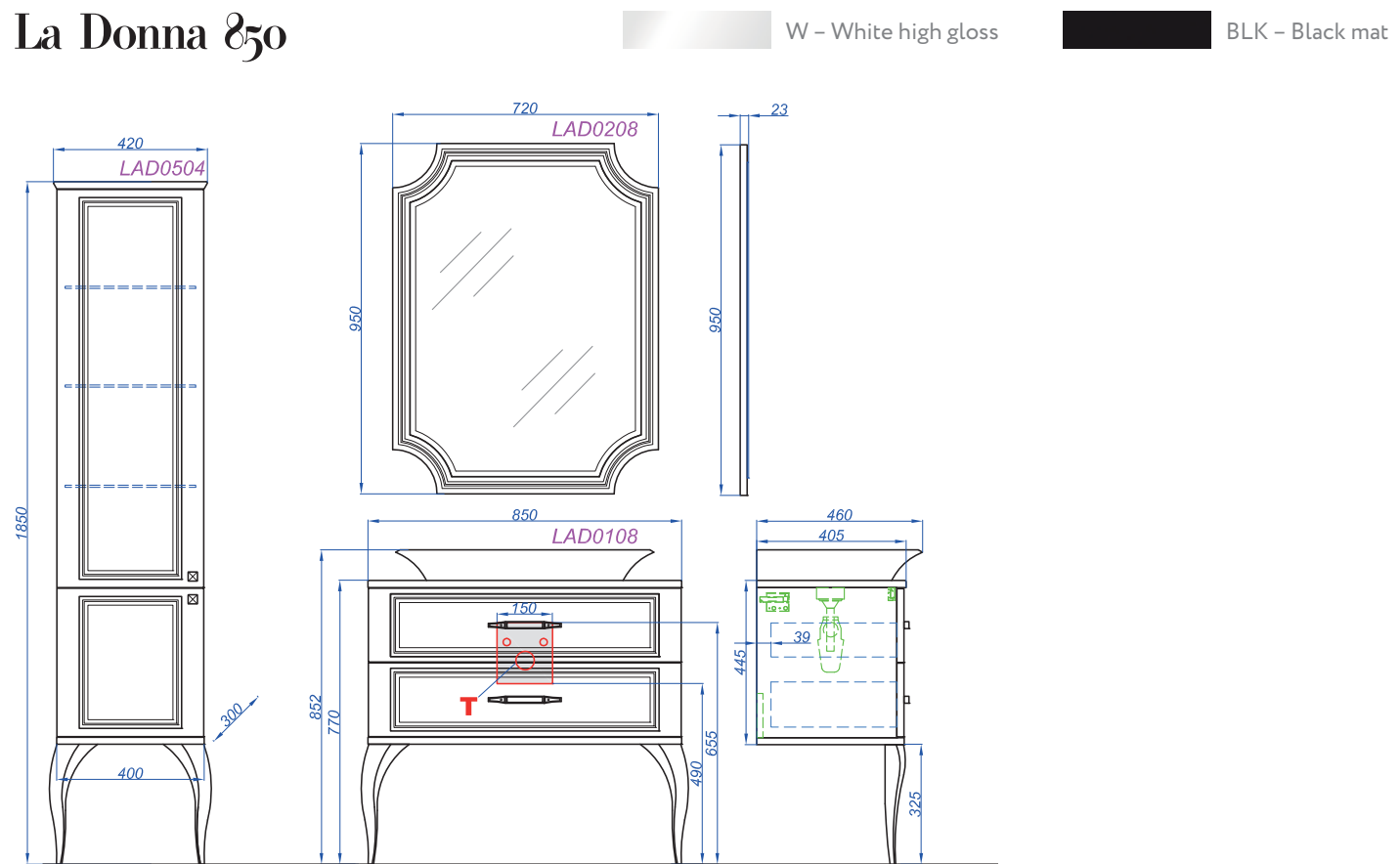


T – water outlet and drain
3 – electrical wire lead point

Infinity 1000

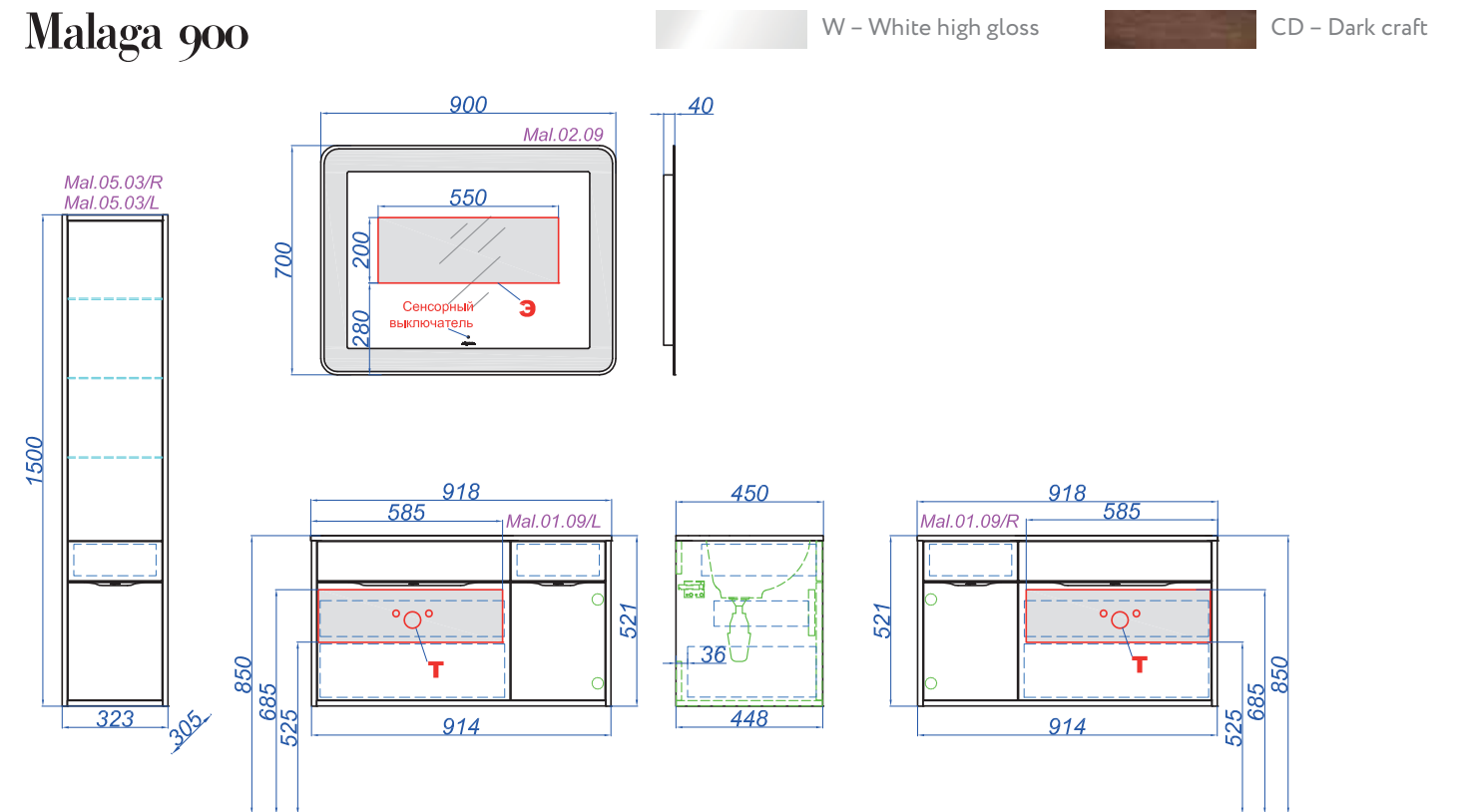


La Donna 850

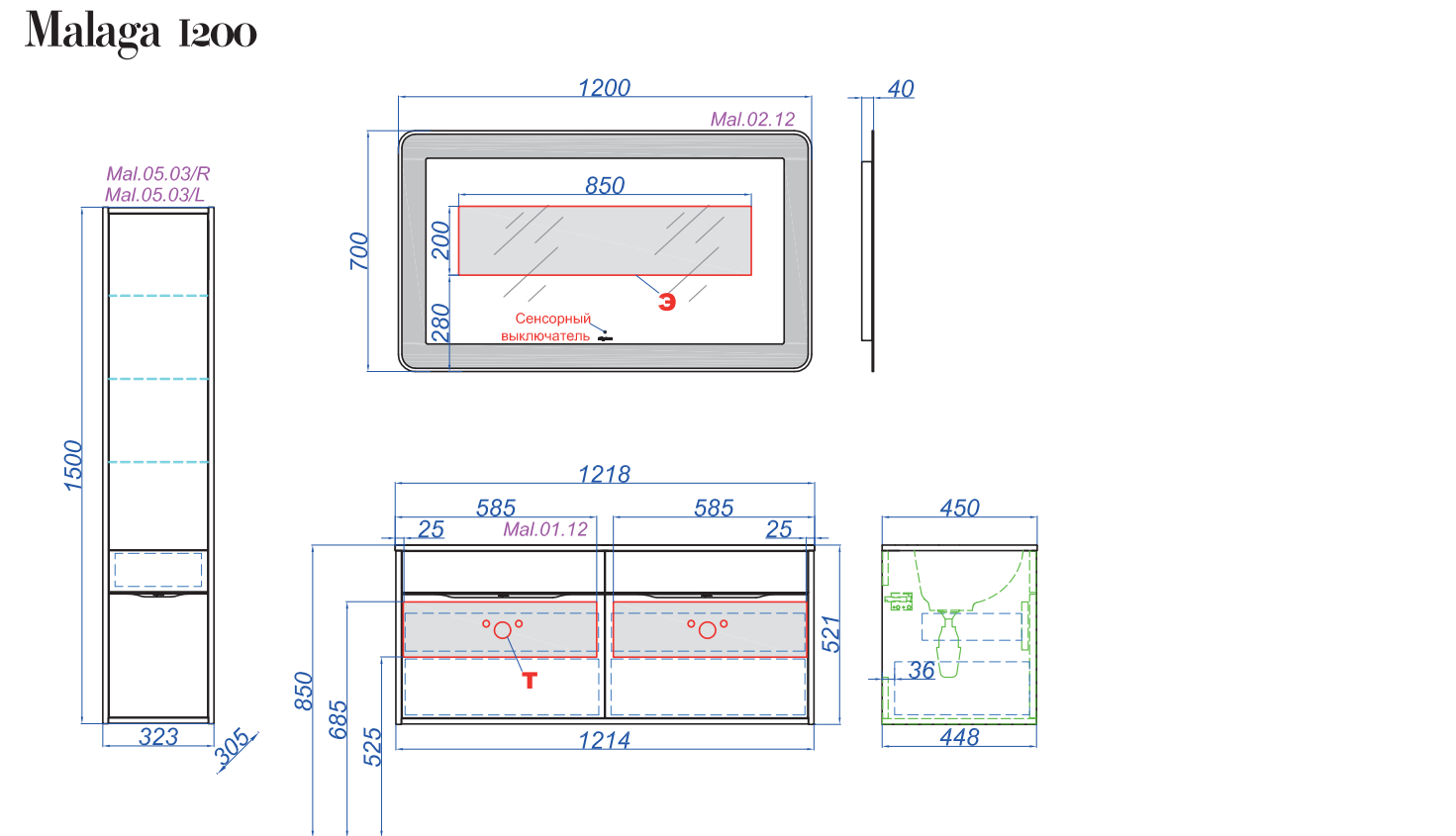


T – water outlet and drain
3 – electrical wire lead point

Malaga 900



Malaga 1200

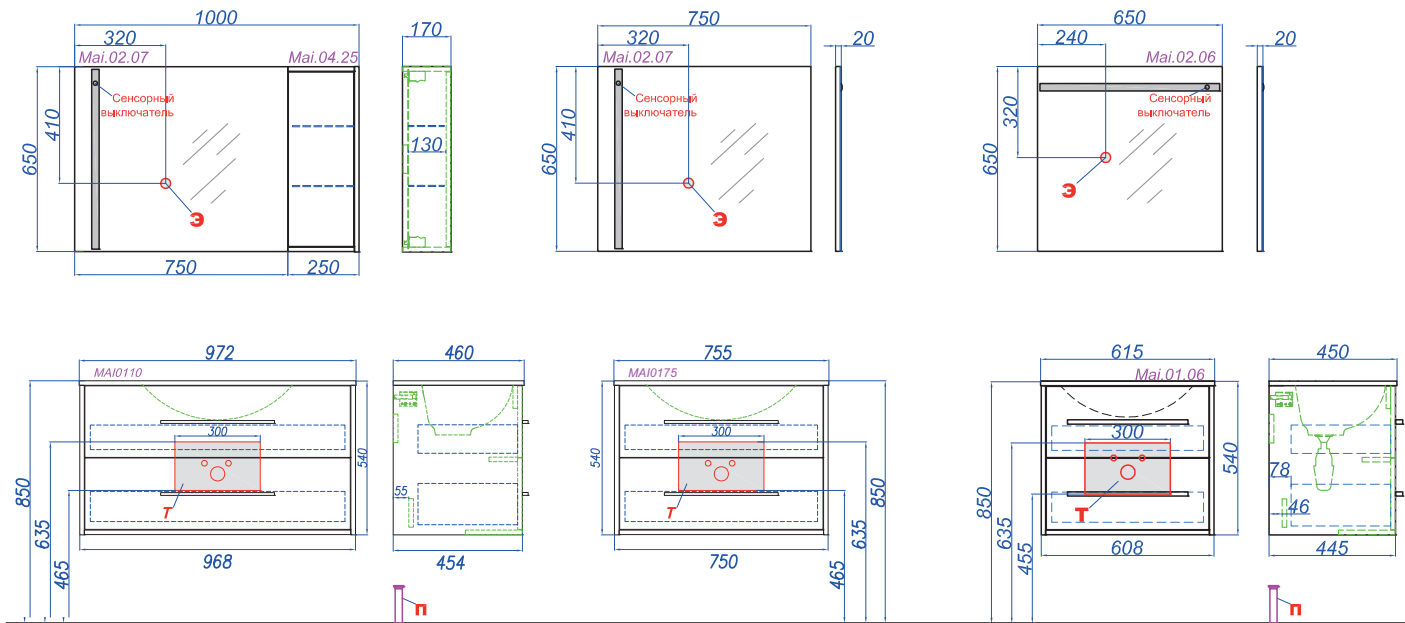


T – water outlet and drain
3 – electrical wire lead point

Miami 1000

Miami 750

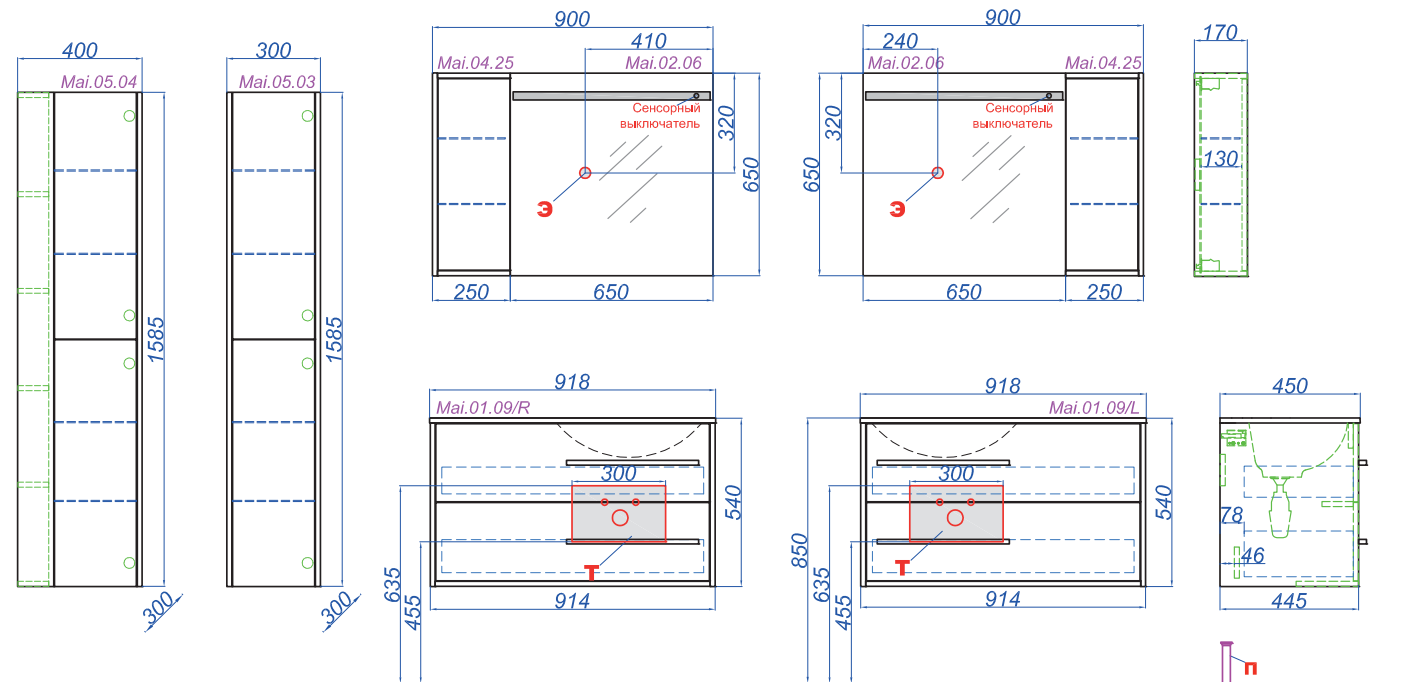
Miami 600



Miami 900 R

Miami 900 L

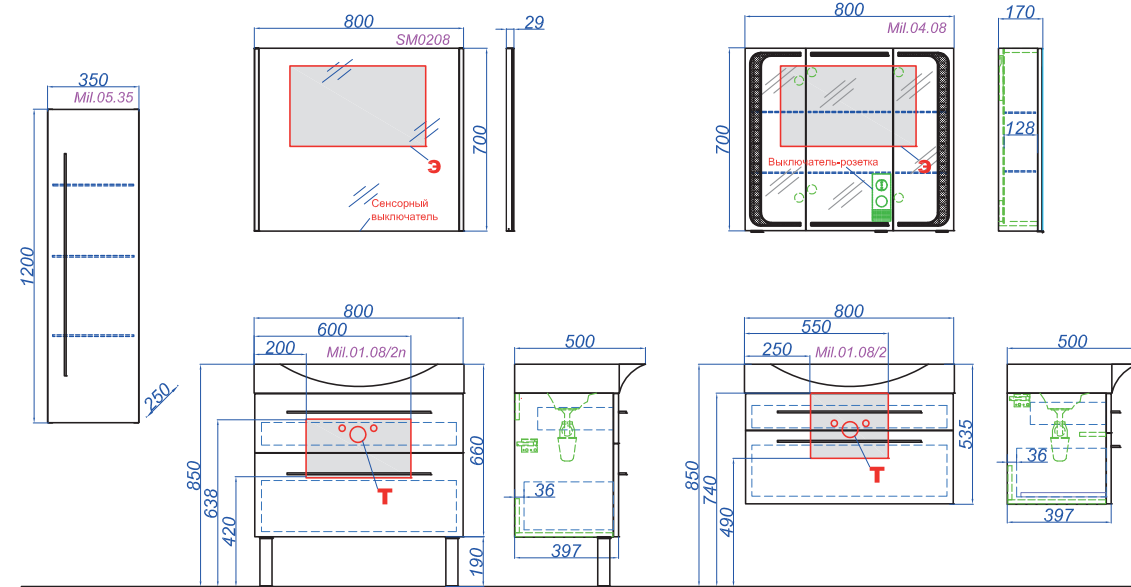
DS – Sonoma oak



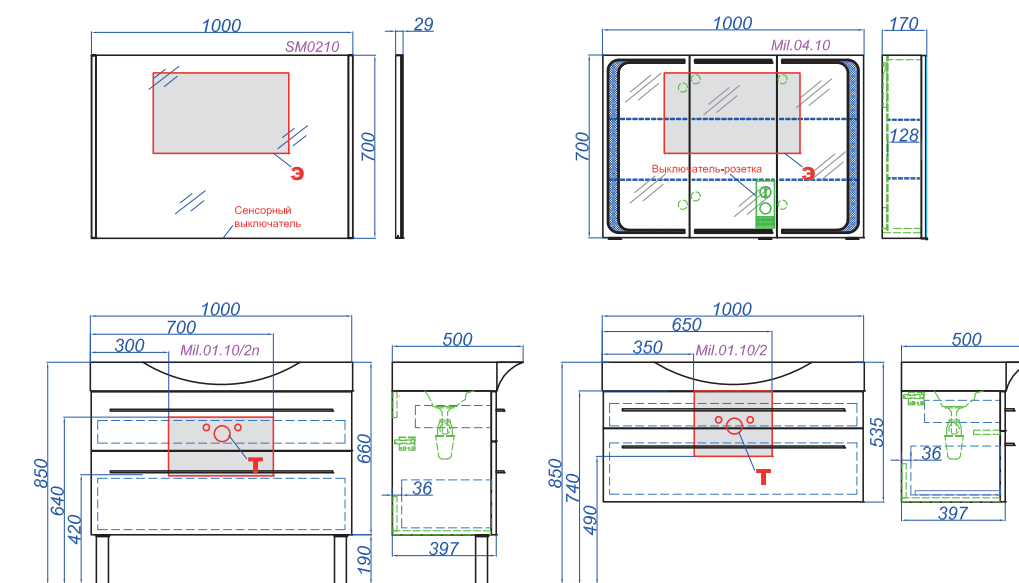
T – water outlet and drain
 3 – electrical wire lead point
 П – output pipes to the floor

Milan 800

W – White high gloss



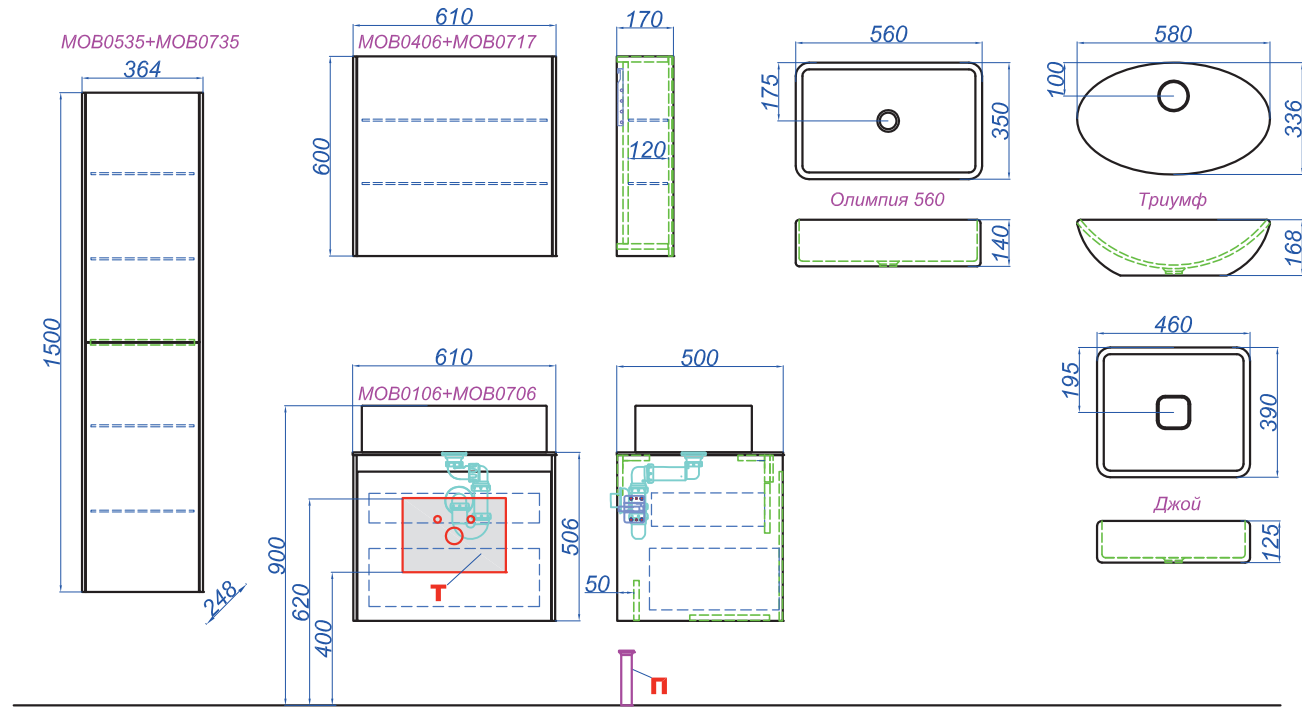
Milan 1000



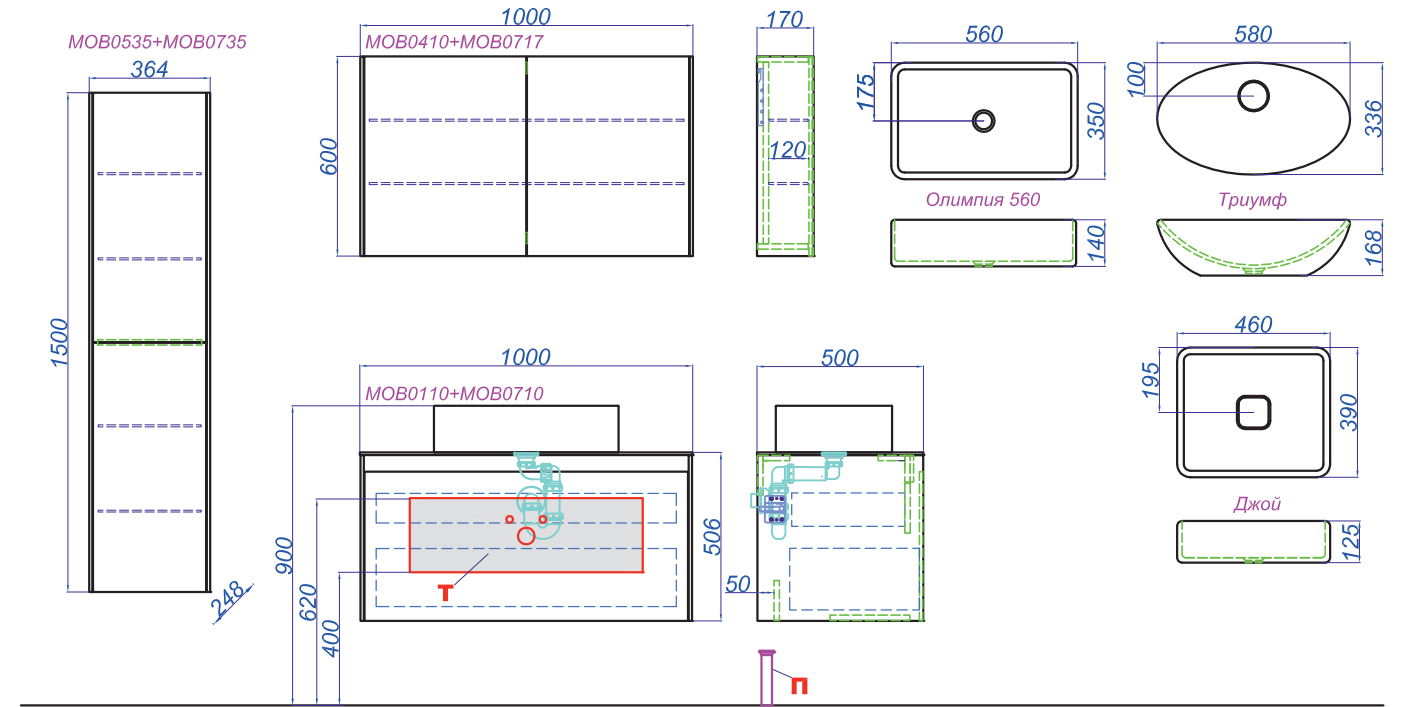
T – water outlet and drain
 3 – electrical wire lead point

Mobi 600

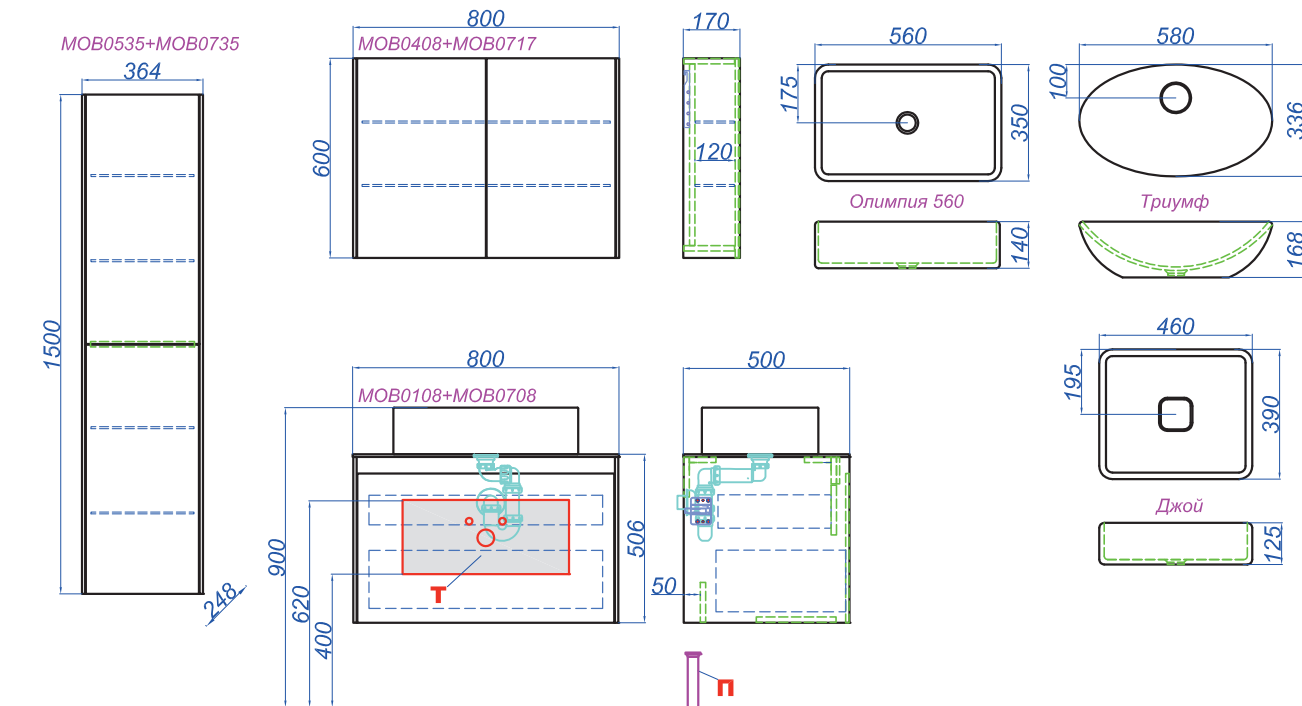
W – White high gloss
 BS – Light concrete
 DB – Baltic oak



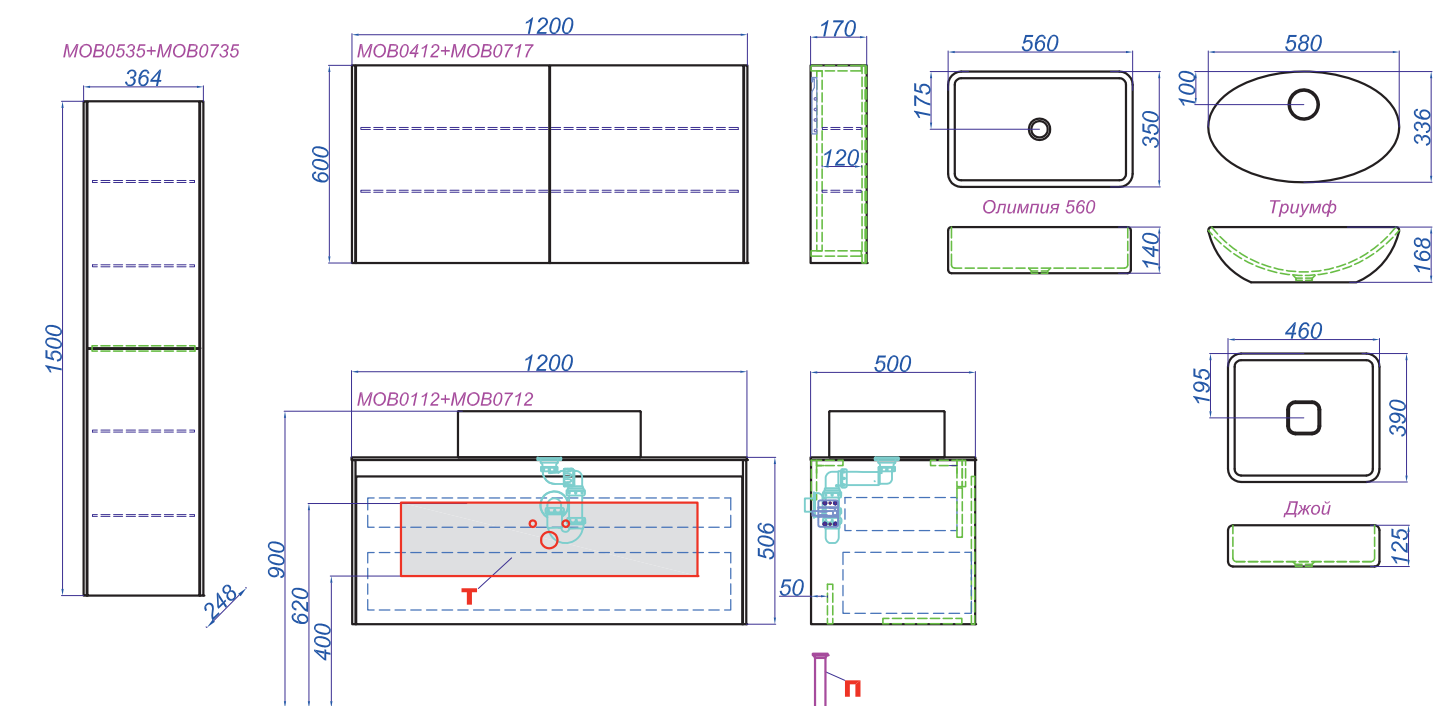
Mobi 1000



Mobi 800



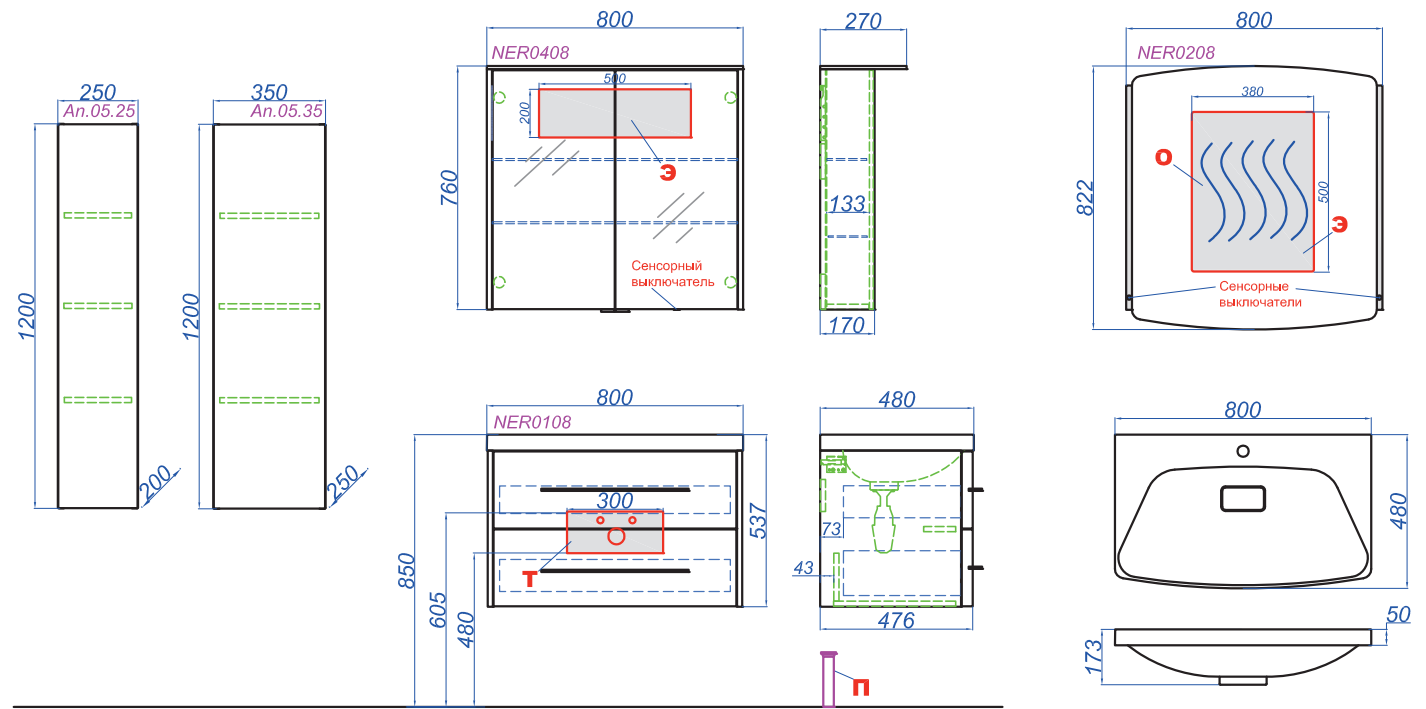
Mobi 1200



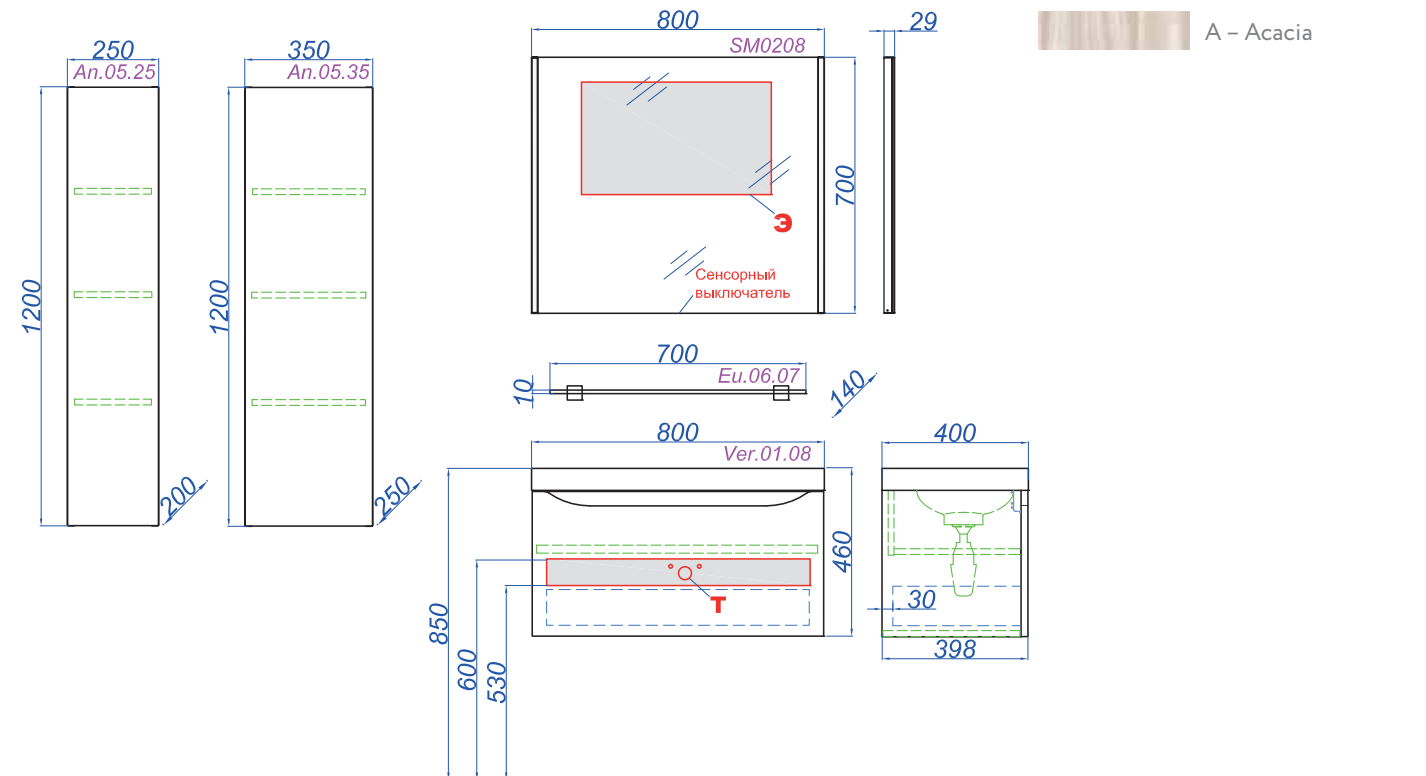
T – water outlet and drain
n – output pipes to the floor

T – water outlet and drain
n – output pipes to the floor

Neringa 800

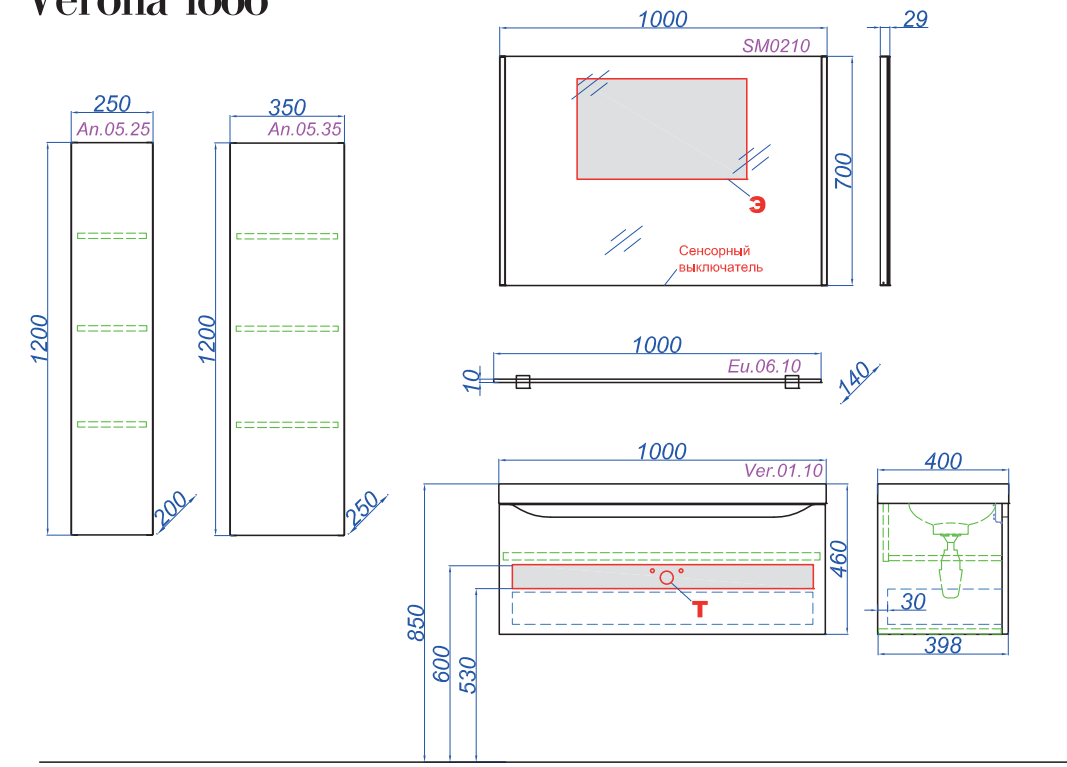


Verona 800

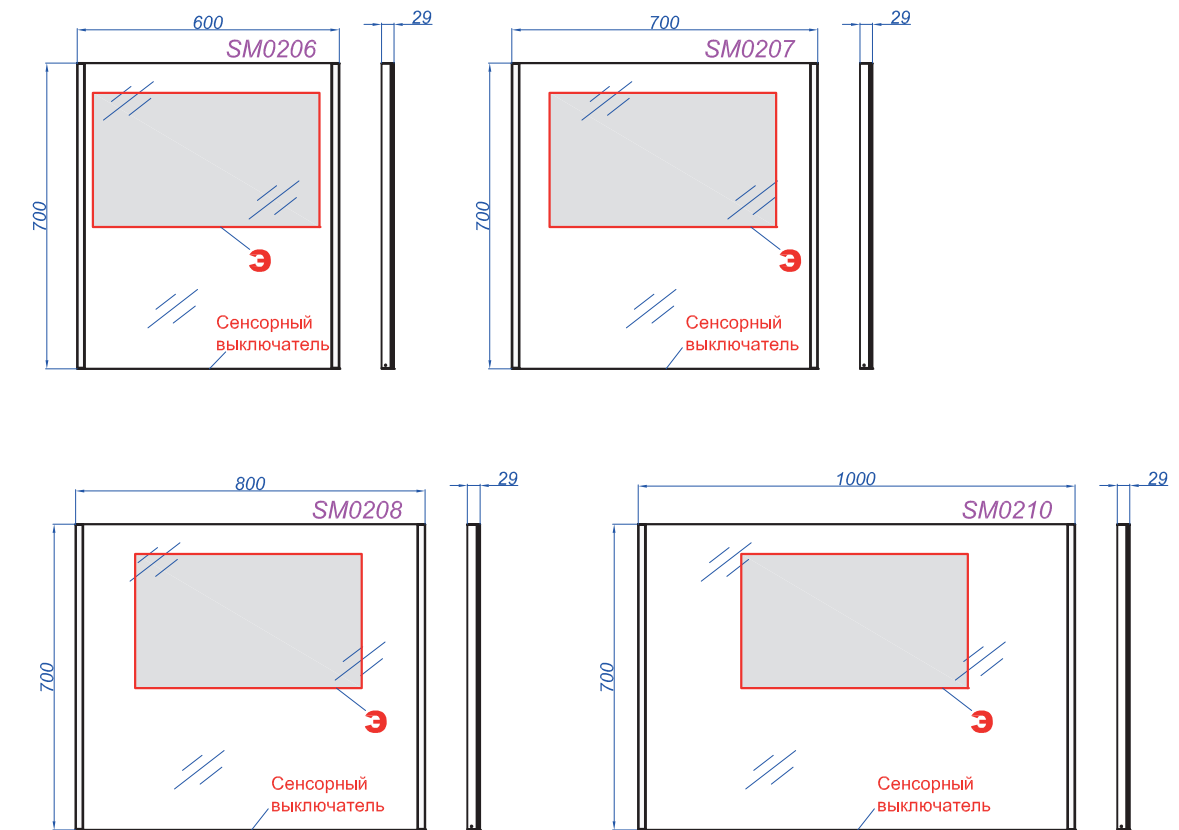


- T** – water outlet and drain
- Э** – electrical wire lead point
- – mirror heating area
- П** – output pipes to the floor

Verona 1000



Collection SM – Universal mirrors



- T** – water outlet and drain
- Э** – electrical wire lead point



AQWELLA INVEST LLC

Aqwella Invest LLC
98 Petrozavodskaya street,
Kaliningrad, Russia
T +7 (4012) 605003
F +7 (4012) 605081
M info@aqwella.com
WWW.AQWELLA.COM

All rights reserved.

We reserve the direct right to technical modifications of our product that contributes to further improvement of its quality, necessary changes in color and design, as well as typographical errors.